

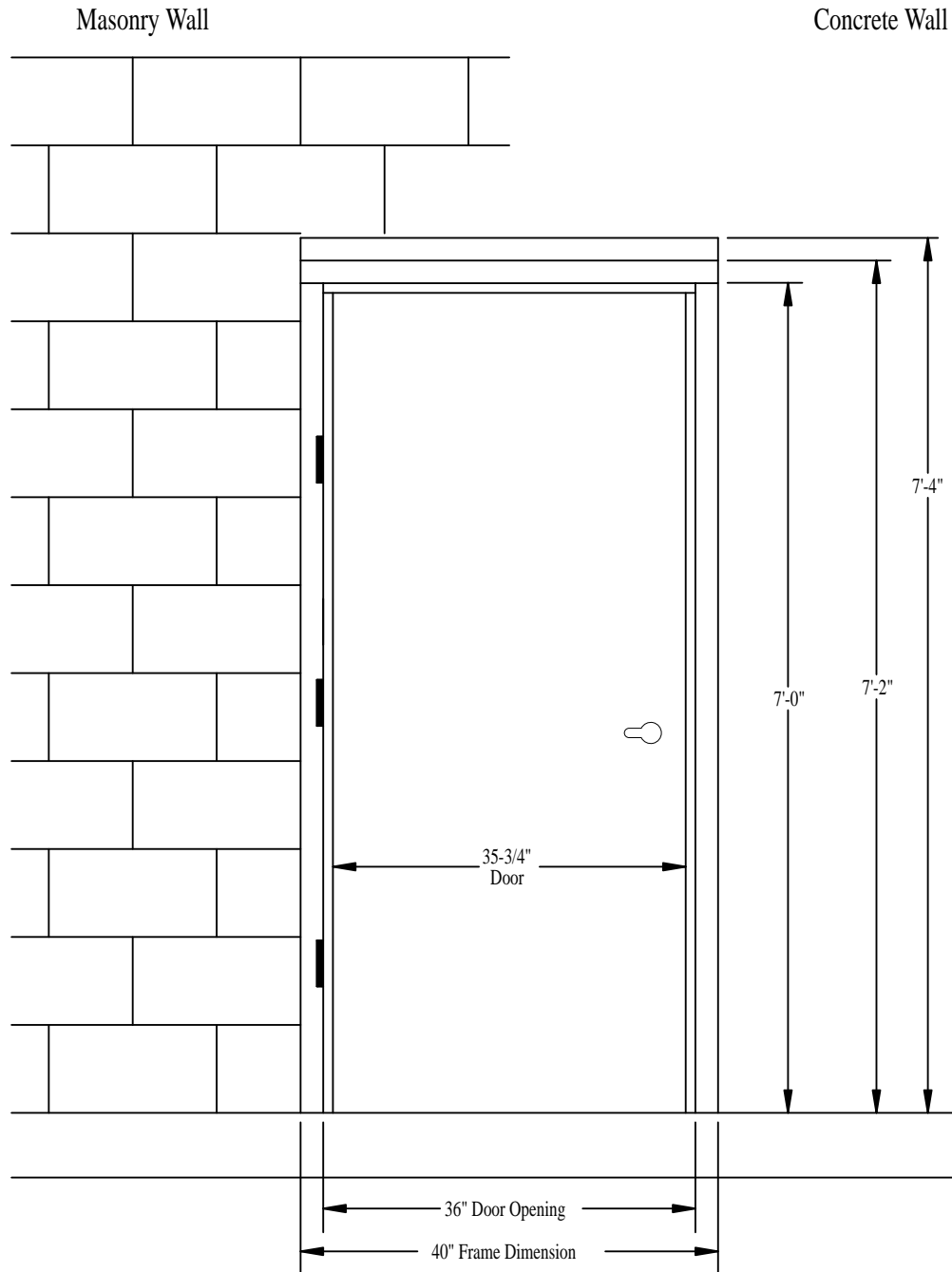
SECTION THREE

Masonry Wall Preassembled Door Systems

<u>Table of Contents</u>	Page
3070 Masonry Door System Description	1
4070 Masonry Door System Description	2
6070 Masonry Door System Description	3
Double Door Hardware Configuration Detail	4
Door Frame - Header Detail	5
Door Frame - Jamb Detail	6
4-1/2" x 4-1/2" Hinge Preparation	7
4-1/2" x 4-1/2" Hinge Shim For Heavy-Duty Hinge	8
4-7/8" Strike Preparation	9
Alternate View 4-7/8" Strike	10
Door Clearance	11
Door Hinge and Cylindrical Lock Locations	12
Door Cylindrical Lock Preparation Gov. #161	13
Door Hinge Shim / Adapter Filler Plate	14
Door Frame Anchoring System - Wire Anchors	15-16
Door Frame Anchoring System - EOA Anchors	17
Installation Instructions	18-19
Door Specifications	20-21

GLOBAL BUILDING PRODUCTS

3070 Preassembled Door System

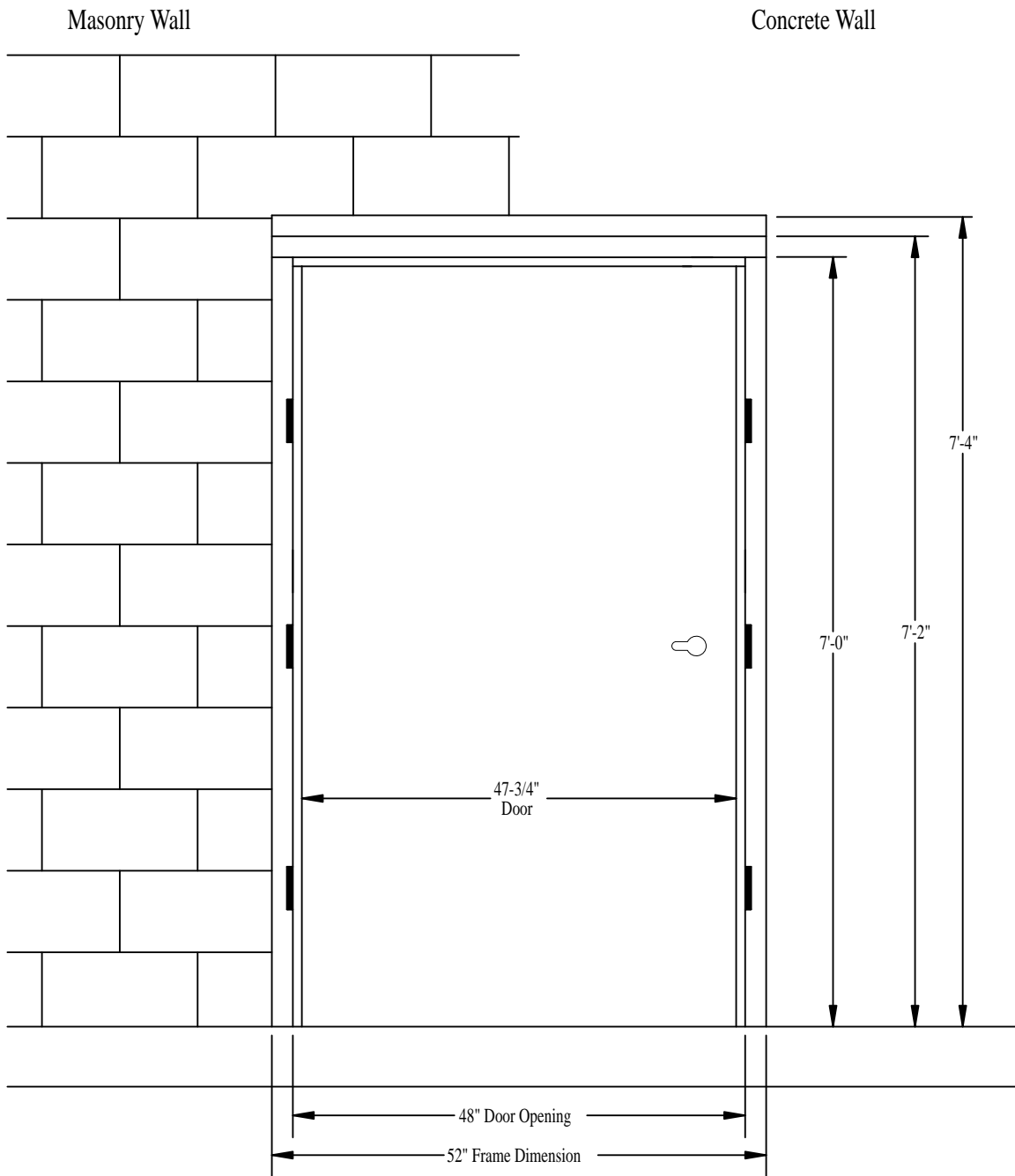


3070 Preassembled Door Includes The Following Components:

1. 20 Gauge, Galvannealed, Insulated, Door Leaf.
2. 5-3/4", 16 Gauge, Galvannealed, Insulated, Door Frame (2" or 4" header).
3. Cylindrical Lever Lock -- Grade 2 (26D Finish).
4. (3) Ball-Bearing Hinges -- 4-1/2" x 4-1/2" with a Non-Removable Pin (26D Finish).
5. 5-3/4", Aluminum Threshold - ADA Compliant.
6. Adjustable Sweep.
7. Kerfed Weatherseal.
8. (6) Wire Masonry Anchors (3 per side) or (6) Existing Opening Anchors (3 per side).
9. Packaging - Each Door System is Packaged in Heavy Duty Wood Crating.
10. All Fasteners and Anchor Bolts included for a complete installation.

GLOBAL BUILDING PRODUCTS

4070 Preassembled Door System

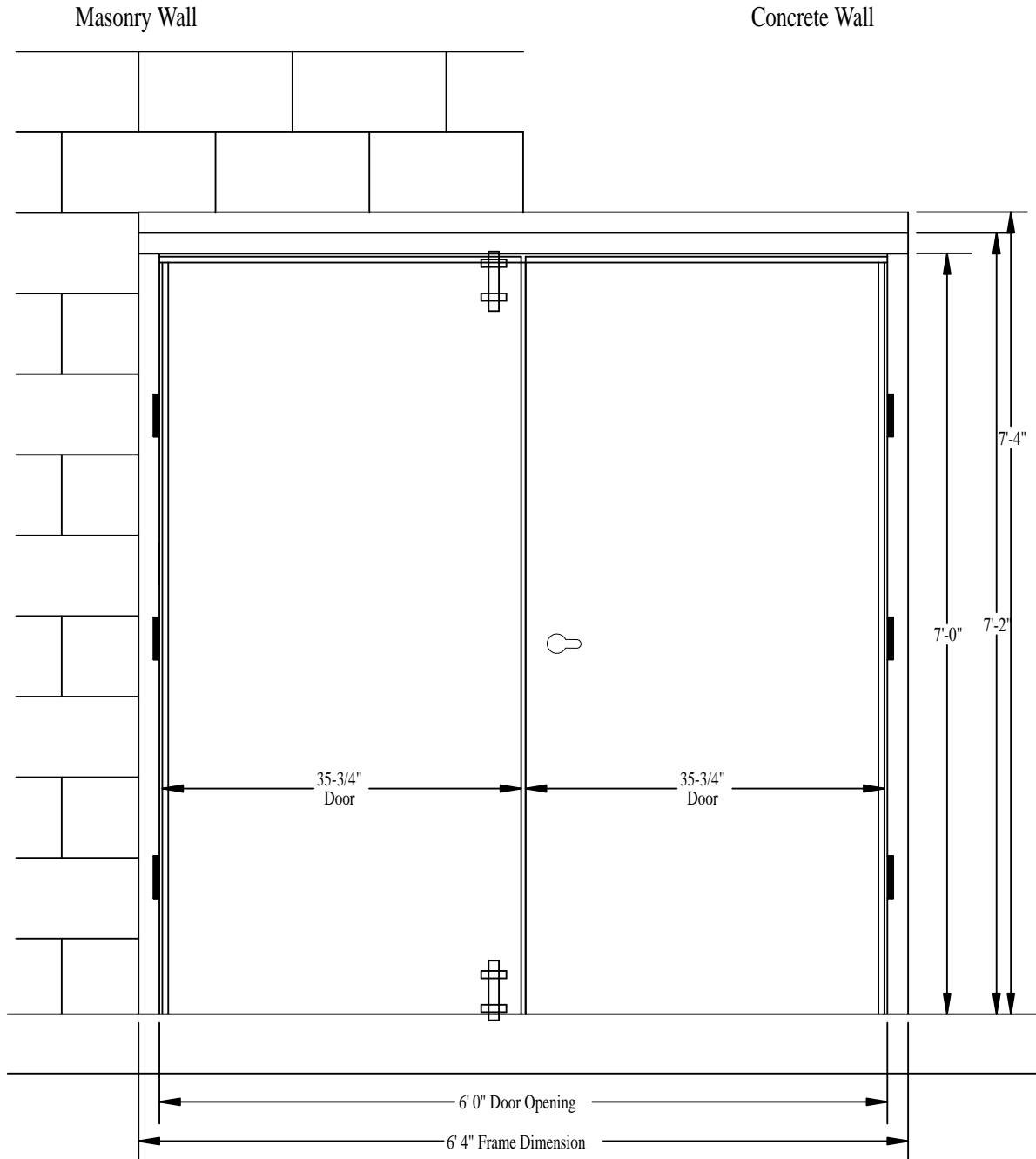


4070 Preassembled Door Includes The Following Components:

1. 18 Gauge, Galvannealed, Insulated, Door Leaf.
2. 5-3/4", 16 Gauge, Galvannealed, Insulated, Door Frame (2" or 4" header).
3. Cylindrical Lever Lock -- Grade 2 (26D Finish).
4. (3) Ball-Bearing Hinges -- 4-1/2" x 4-1/2" with a Non-Removable Pin (26D Finish).
5. 5-3/4", Aluminum Threshold - ADA Compliant.
6. Adjustable Sweep.
7. Kerfed Weatherseal.
8. (6) Wire Masonry Anchors (3 per side) or (6) Existing Opening Anchors (3 per side).
9. Packaging - Each Door System is Packaged in Heavy Duty Wood Crating.
10. All Fasteners and Anchor Bolts included for a complete installation.

GLOBAL BUILDING PRODUCTS

6070 Preassembled Door System

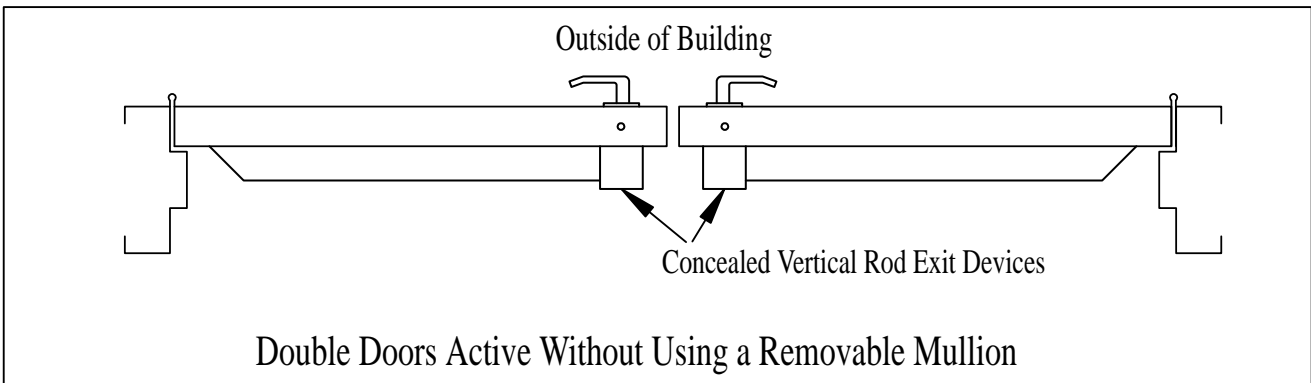
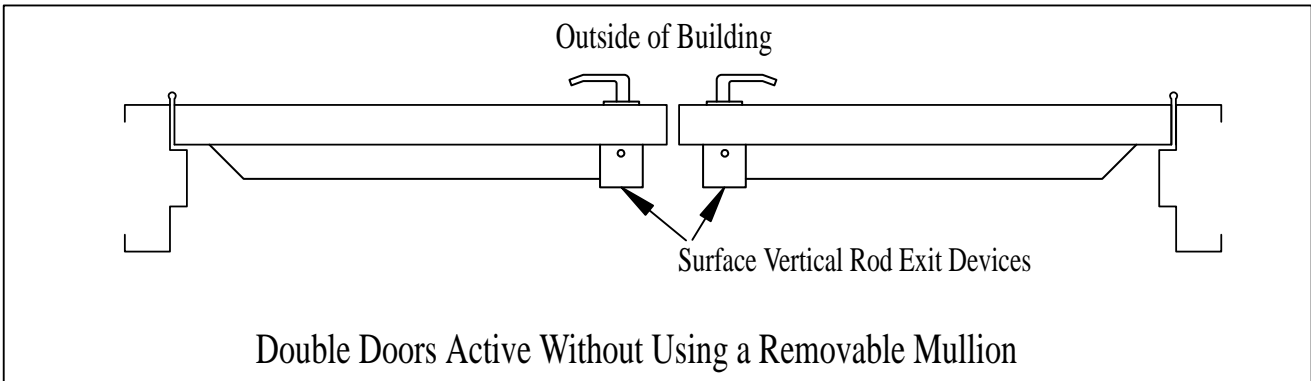
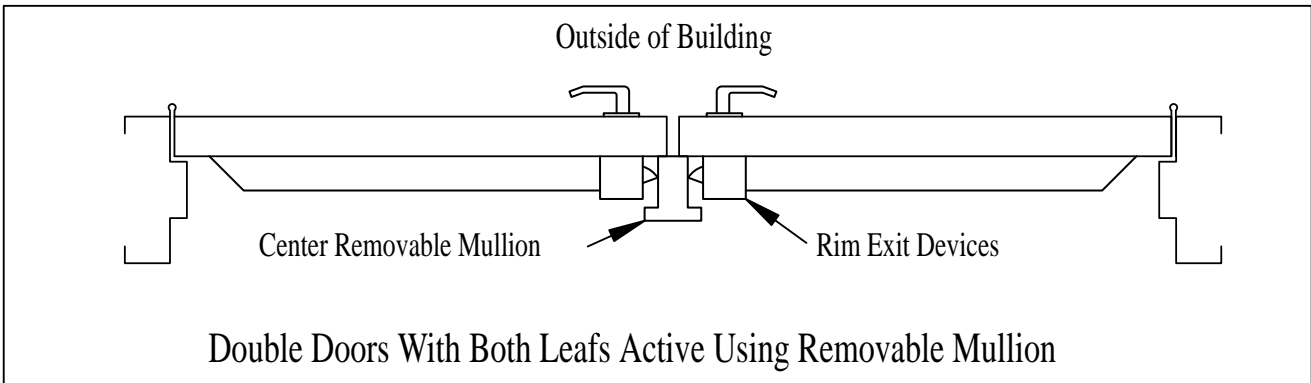
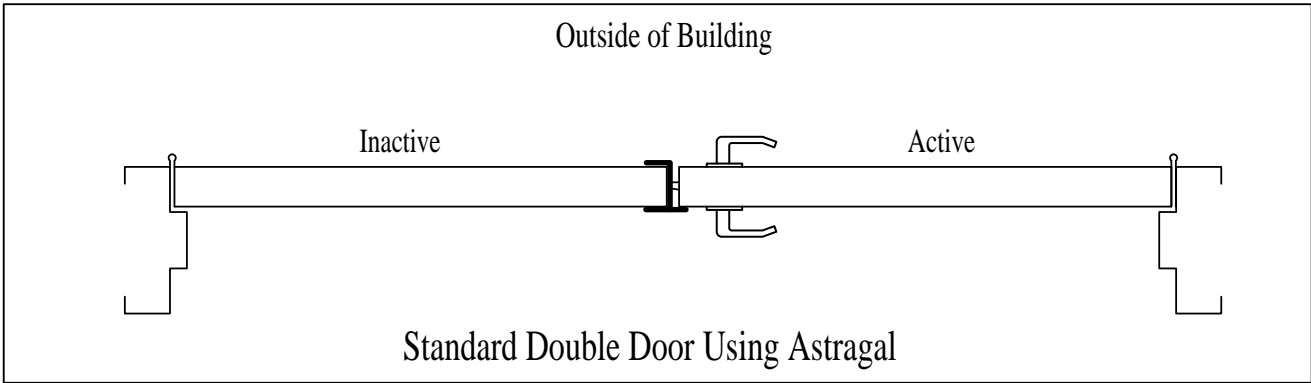


6070 Preassembled Door Includes The Following Components:

1. 20 Gauge, Galvannealed, Insulated, Door Leaf.
2. 5-3/4", 16 Gauge, Galvannealed, Insulated, Door Frame (2" or 4" header).
3. 16 Gauge, Galvanized Overlapping Astragal -- Attached to the "Inactive" leaf.
4. Cylindrical Lever Lock -- Grade 2 (26D Finish) -- Installed on the "Active" leaf only.
5. Surface Bolts (Top & Bottom) -- Mounted on "Inactive" leaf only (26D Finish).
6. (6) Ball-Bearing Hinges -- 4-1/2" x 4-1/2" with a Non-Removable Pin (26D Finish).
7. 5-3/4", Aluminum Threshold - ADA Compliant.
8. Adjustable Sweep.
9. Kerfed Weatherseal.
10. (6) Wire Masonry Anchors (3 per side) or (6) Existing Opening Anchors (3 per side).
11. All Fasteners and Anchor Bolts included for a complete installation.
12. Packaging - Each Door System is Packaged in Heavy Duty Wood Crating.

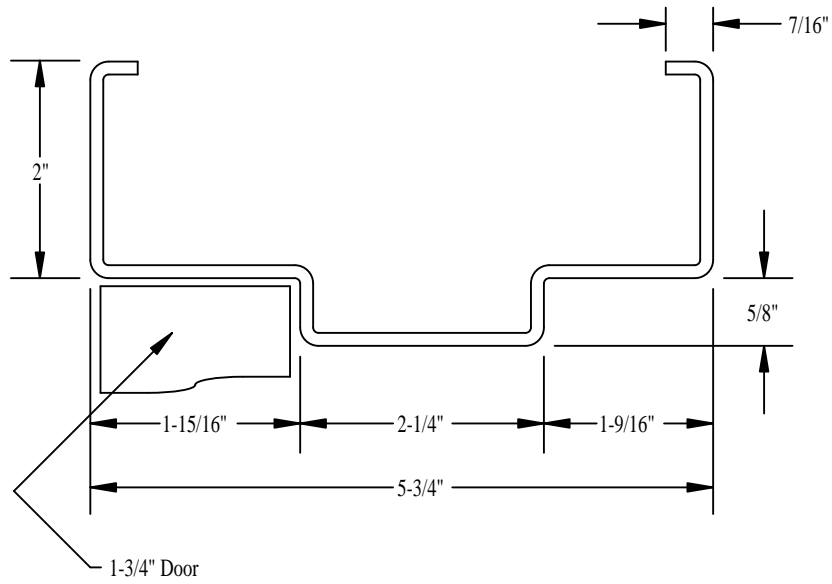
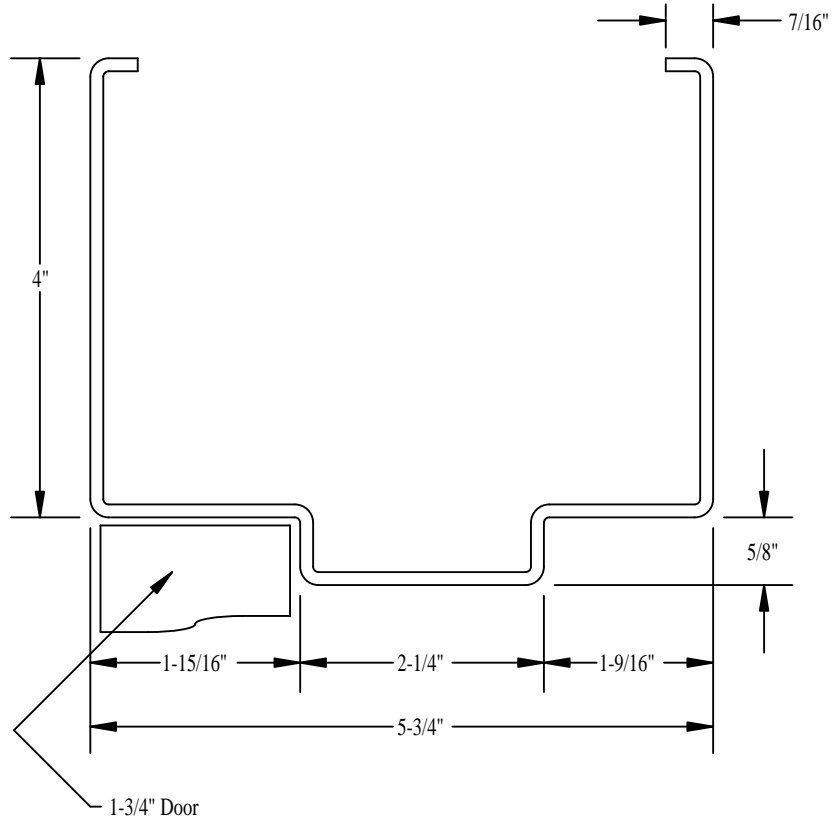
GLOBAL BUILDING PRODUCTS

Double Door Hardware Configurations



GLOBAL BUILDING PRODUCTS

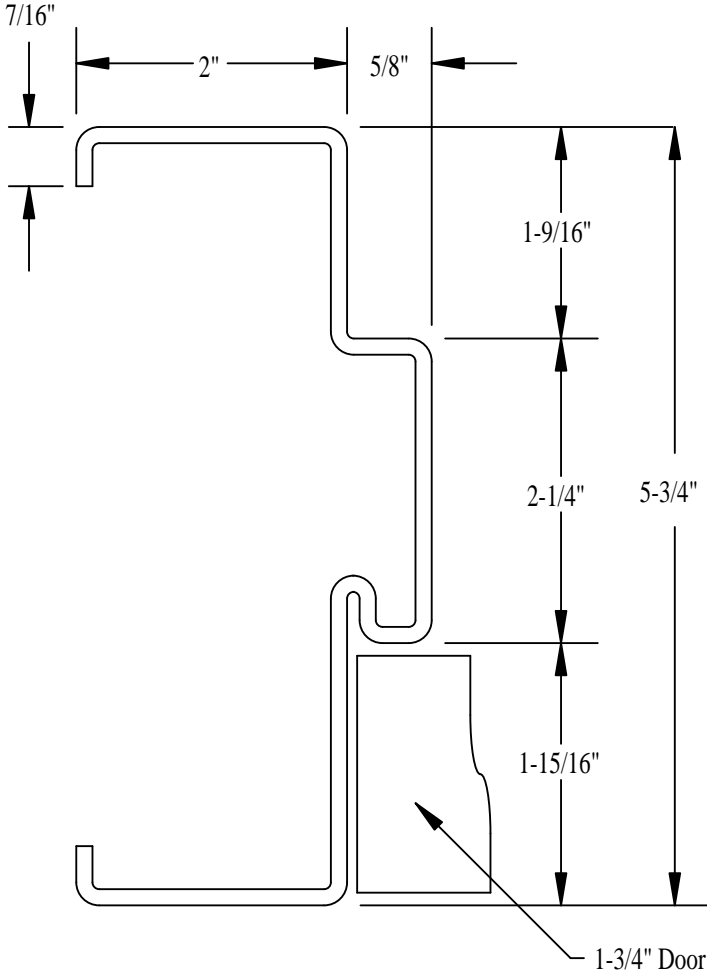
Door Frame - Header Detail 4" & 2" Face



GLOBAL BUILDING PRODUCTS

Door Frame - Jamb Detail

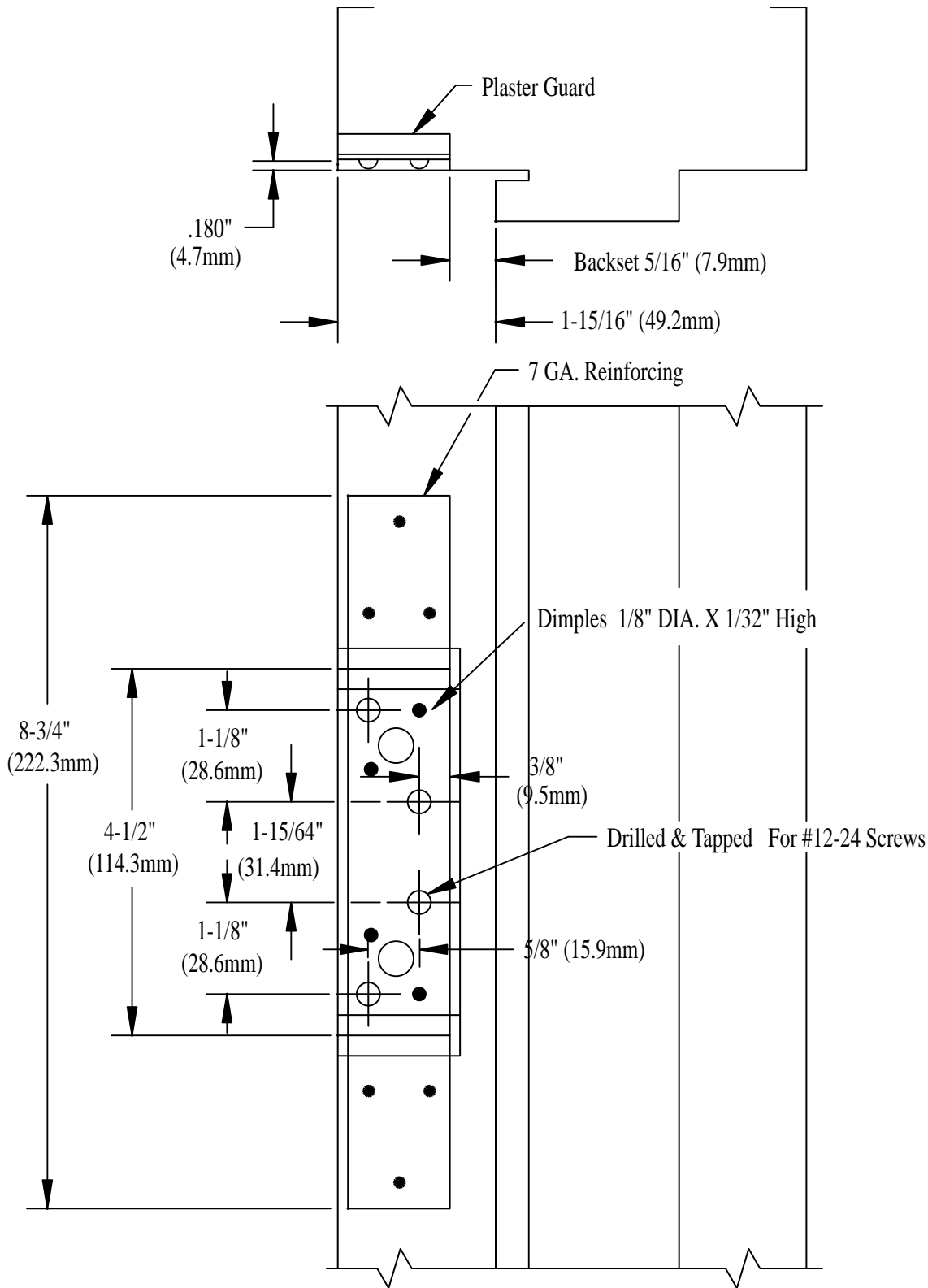
Strike & Hinge Frame Profile



GLOBAL BUILDING PRODUCTS

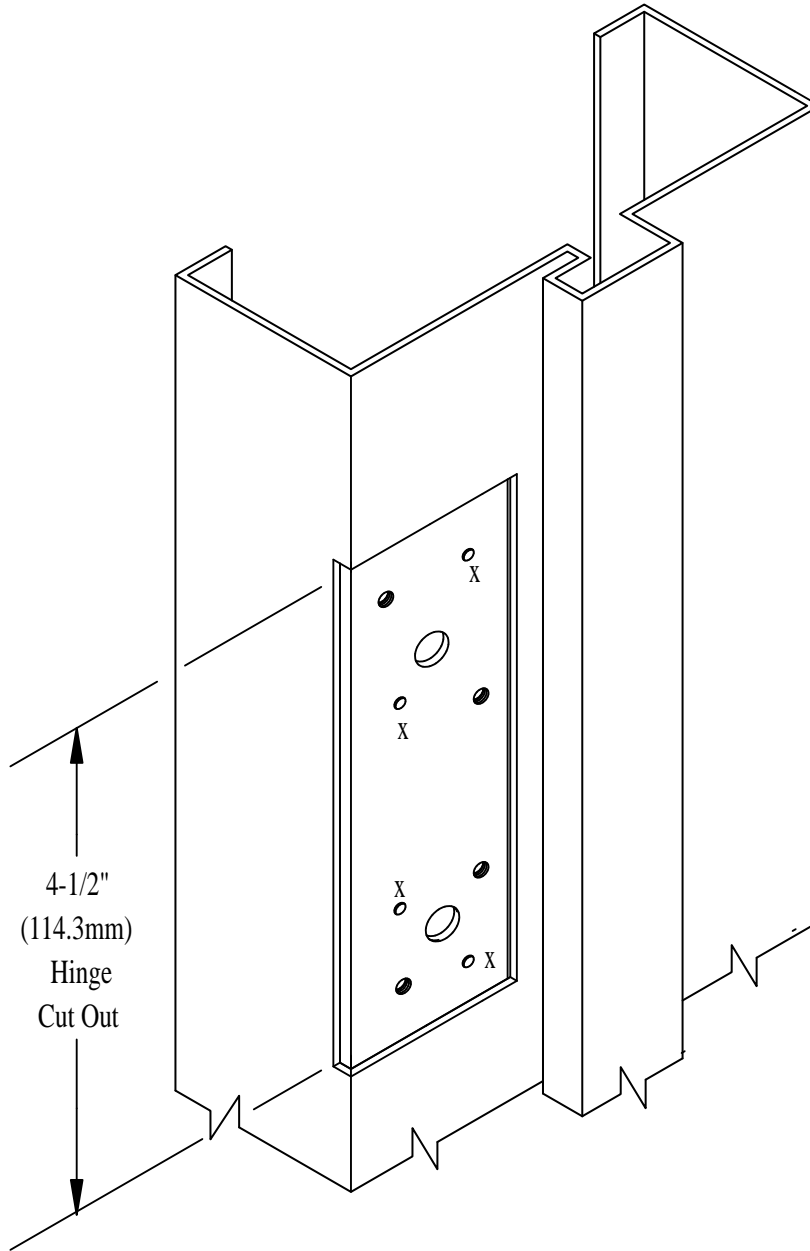
4-1/2" x 4-1/2" Full Mortised Extra Heavy .180 Template Hinge Preparation

(See Page 8 For Shim Illustration)



GLOBAL BUILDING PRODUCTS

4-1/2" x 4-1/2" Full Mortised Template Hinge Dimples - Remove For Extra Heavy Hinge



4 Projection dimples marked (X) are added to hinge reinforcement for standard 4-1/2" x 4-1/2" full mortised template hinge .134 thickness.

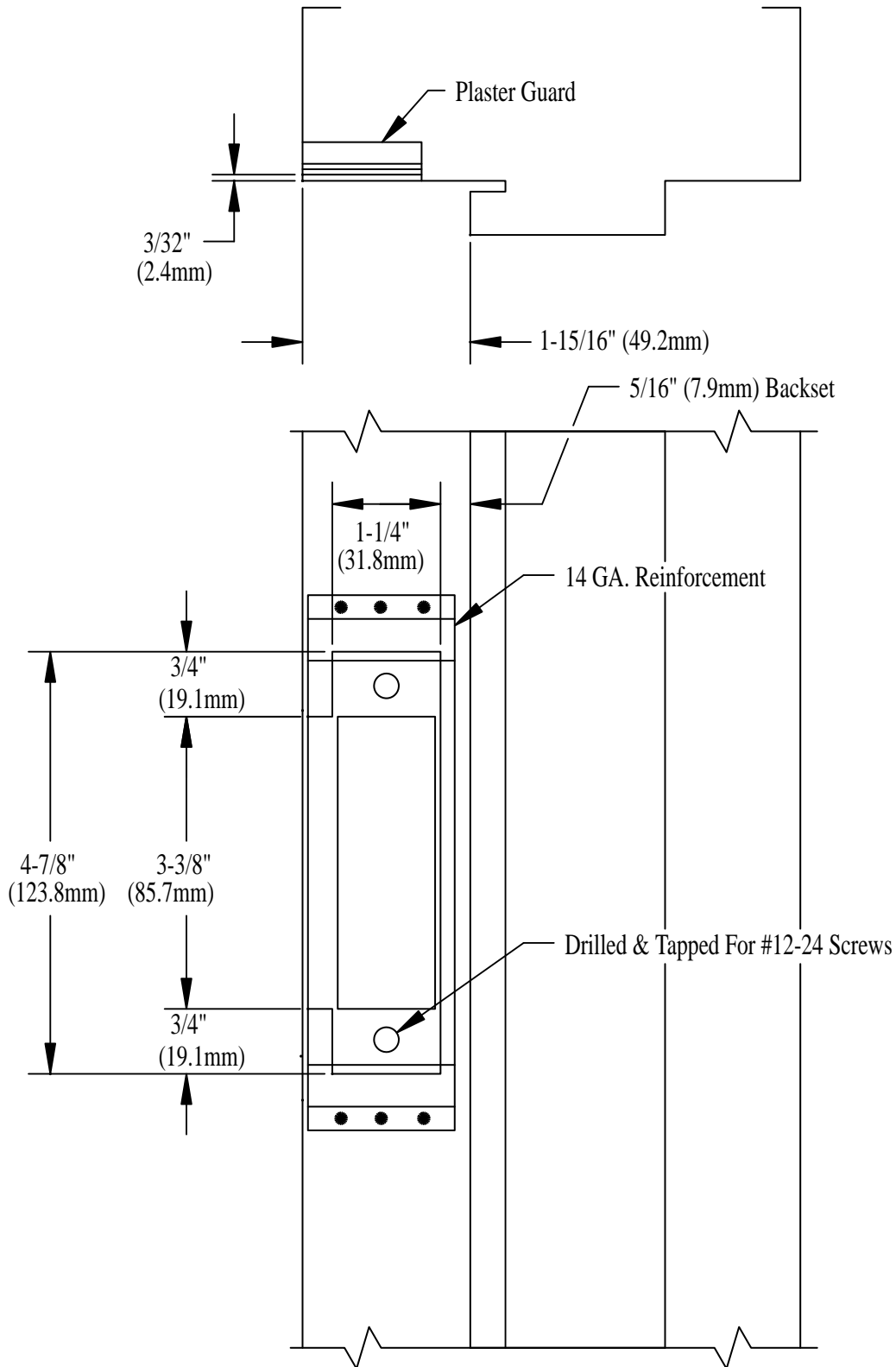
For frames requiring the extra heavy .180 thickness hinge - grind or drill out dimples.

Note: Shimming can be done by removing front or back dimples.

GLOBAL BUILDING PRODUCTS

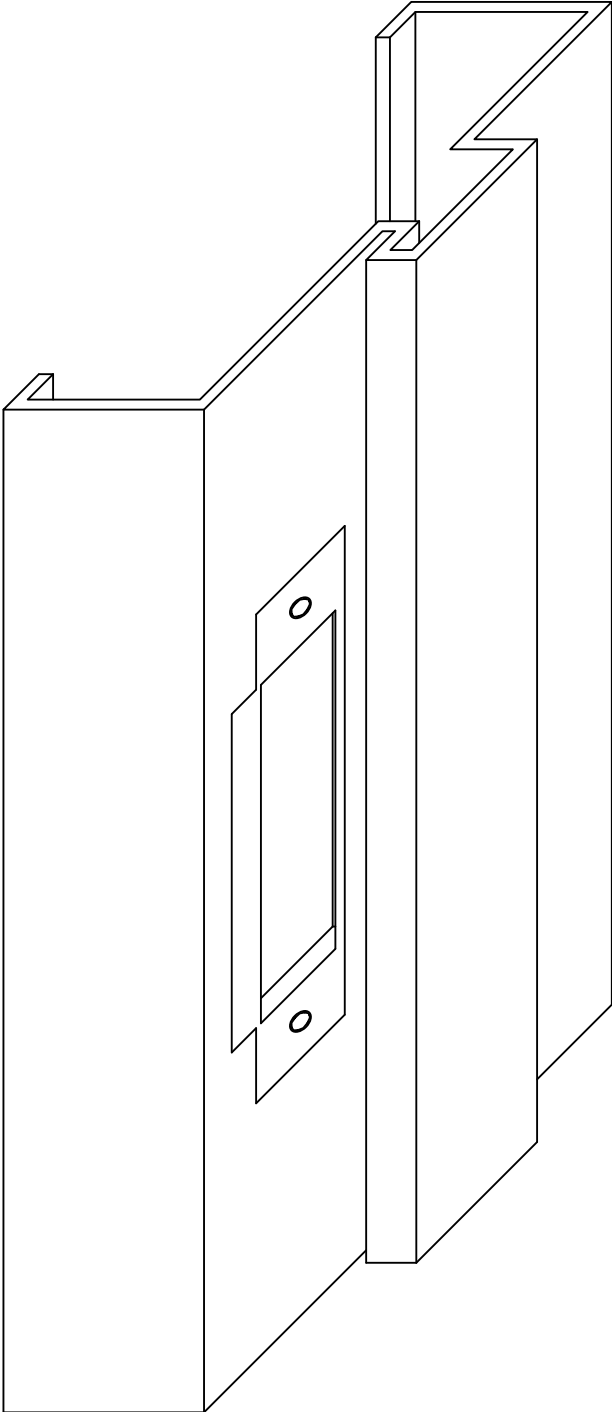
A.N.S.I. 115.1 4-7/8" (123.8mm)

Strike Preparation



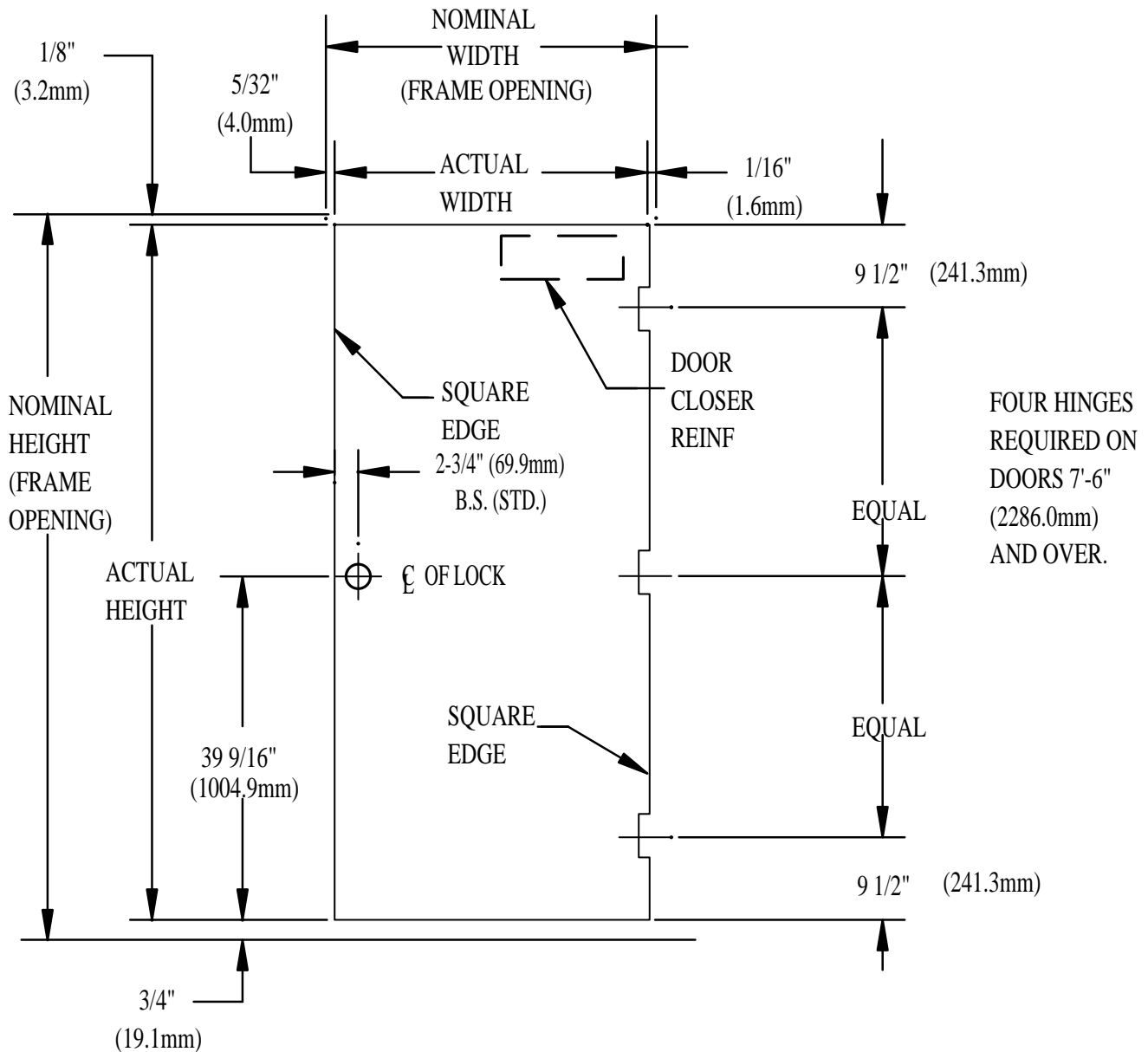
GLOBAL BUILDING PRODUCTS

Alternate View 4-7/8" Strike



GLOBAL BUILDING PRODUCTS

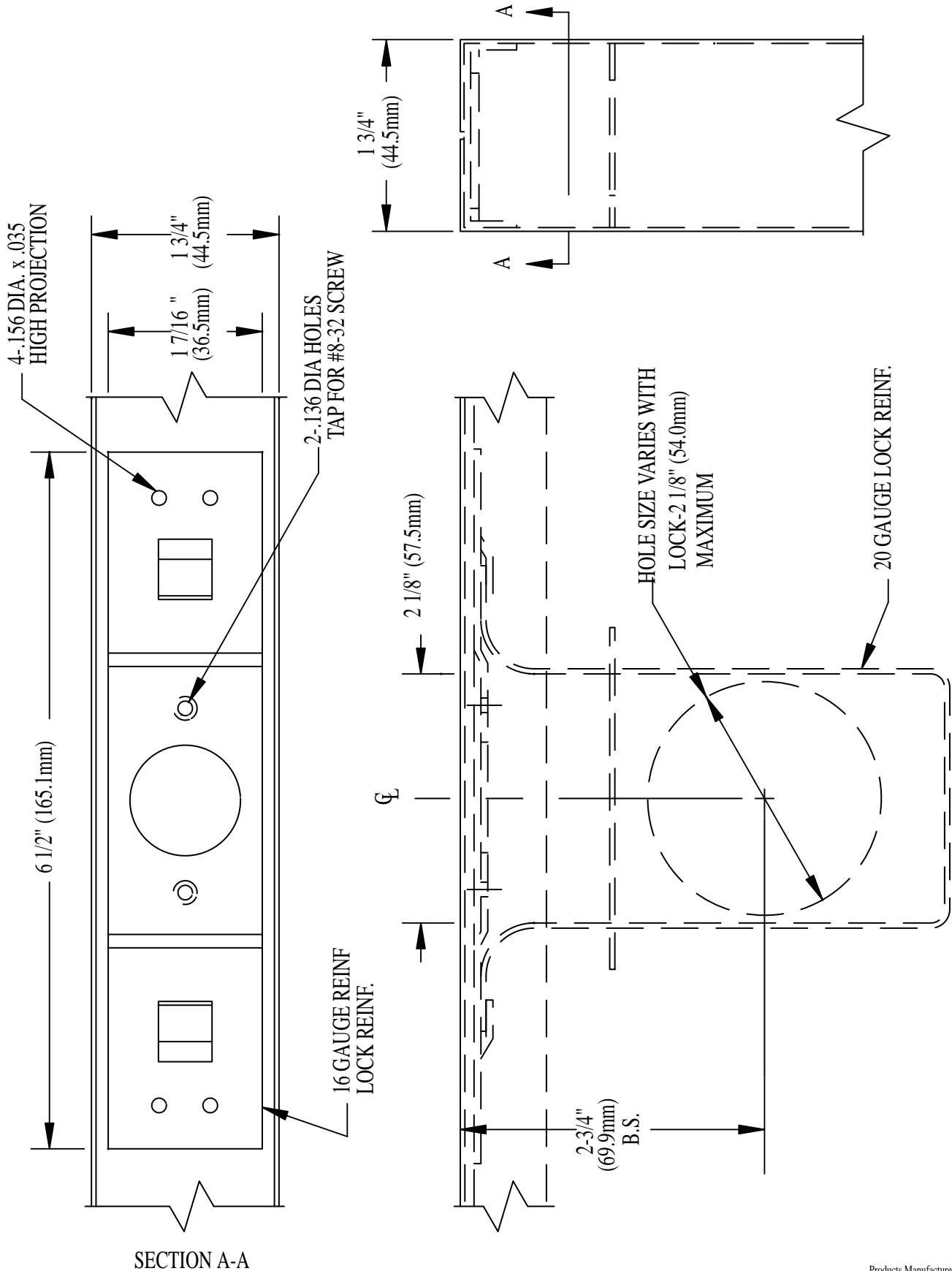
Standard 1-3/4" (44.5mm) Hinge & Cylindrical Lock Locations



GLOBAL BUILDING PRODUCTS

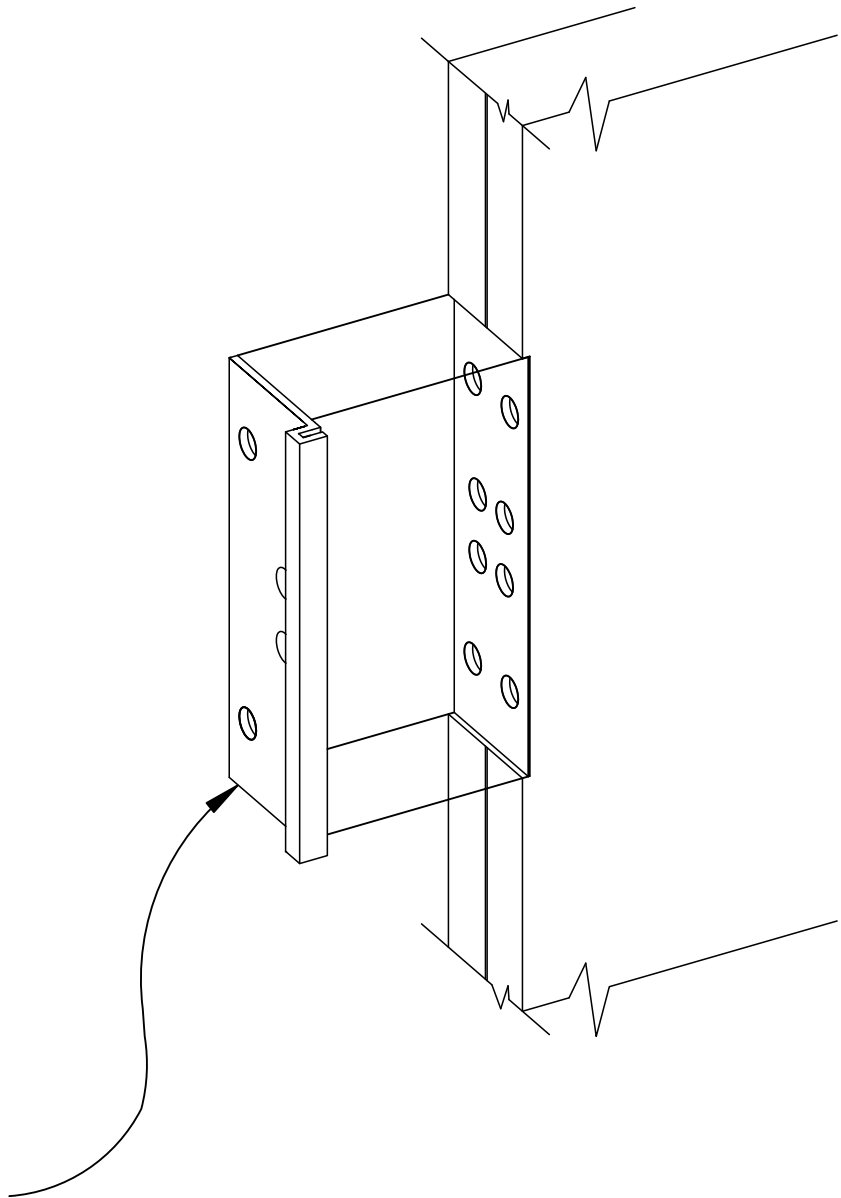
1-3/4" (44.5mm) Standard Cylindrical Lock

Preparation Government #161



GLOBAL BUILDING PRODUCTS

Hinge Adapter Filler Plate



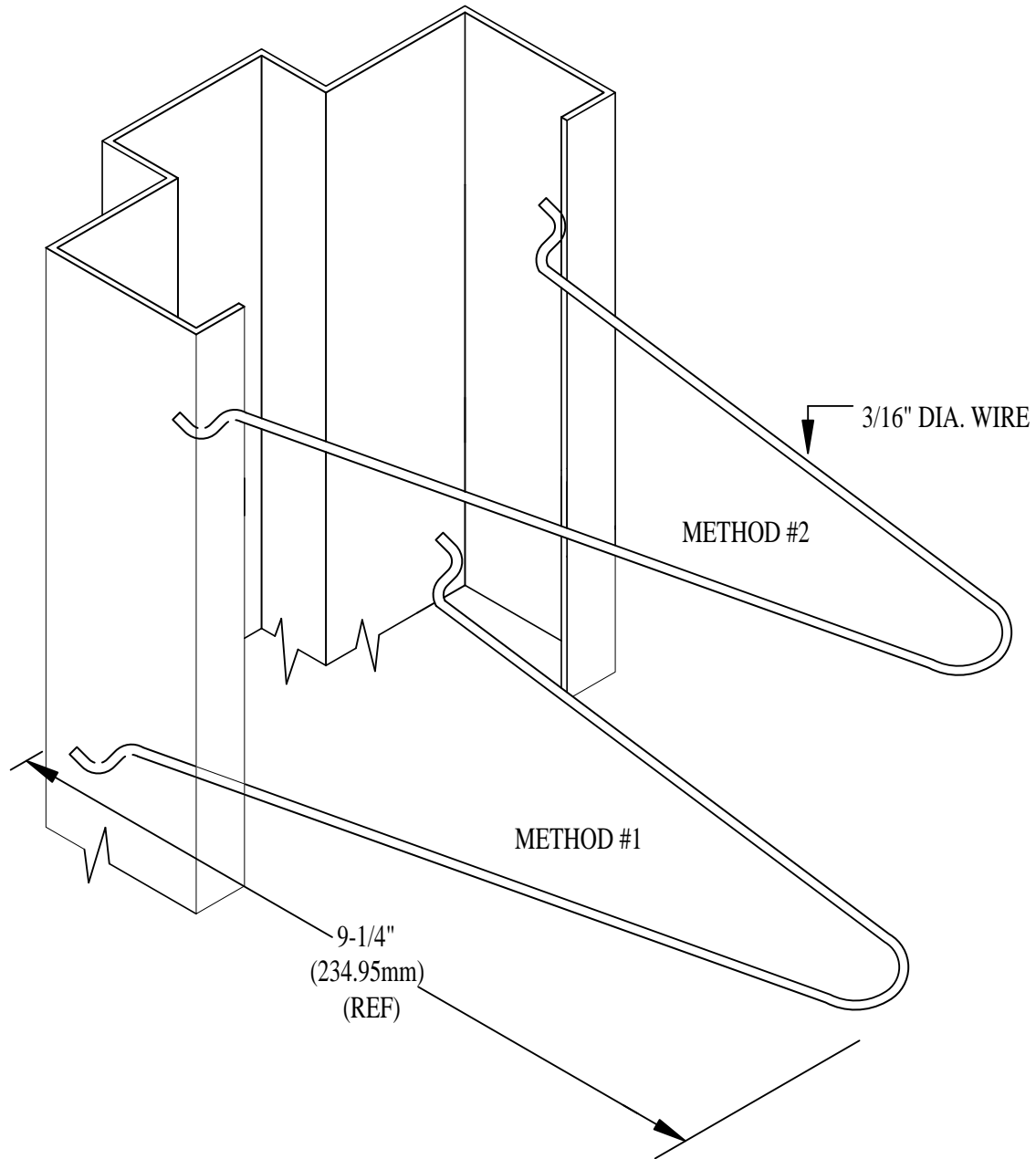
.027" (0.7mm) ADAPTER USED WITH
.180" (4.6mm) 4-1/2" (114.3mm) OR 5"
(127.0mm) HINGE

WHEN ATTACHING ADAPTER, THIS WILL CAUSE A 1/4" (6.4mm) BACKSET.

IT IS NOT NECESSARY TO ORDER FOR A HEAVY WEIGHT HINGE PREPARATION,
AS ALL DOORS WILL ACCOMODATE A STANDARD WEIGHT OR EXTRA HEAVY
HINGE BY USING THE HINGE SHIMS/ADAPTER, WHICH ARE PROVIDED AS A
STANDARD WITH ALL DOORS.

GLOBAL BUILDING PRODUCTS

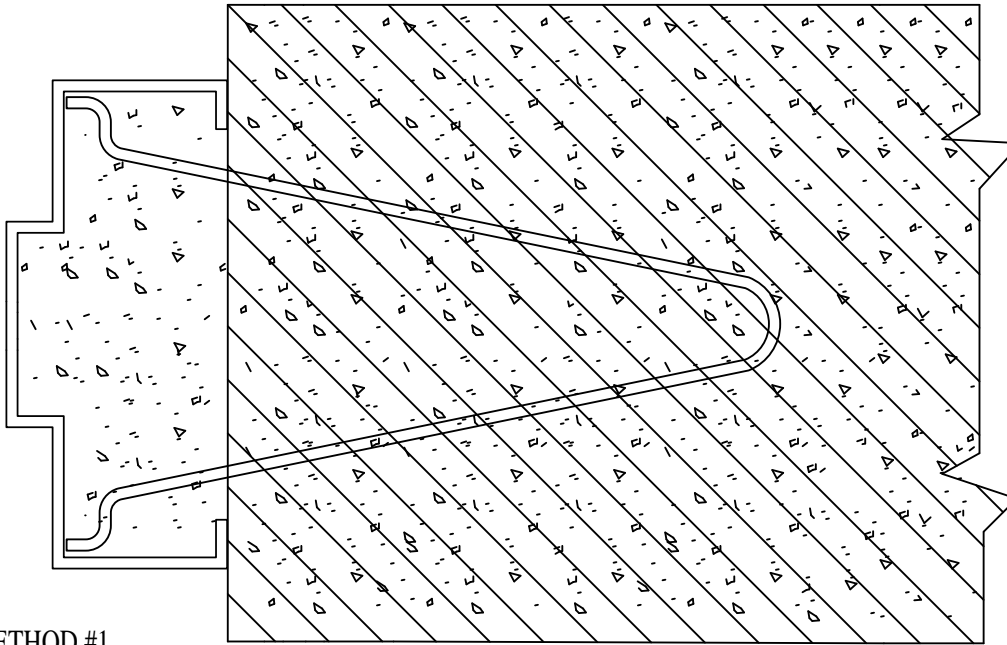
Standard Masonry Wire Anchor



NOTE: FOR EXPLANATION OF METHODS OF INSTALLATION SEE PAGE 3-16.

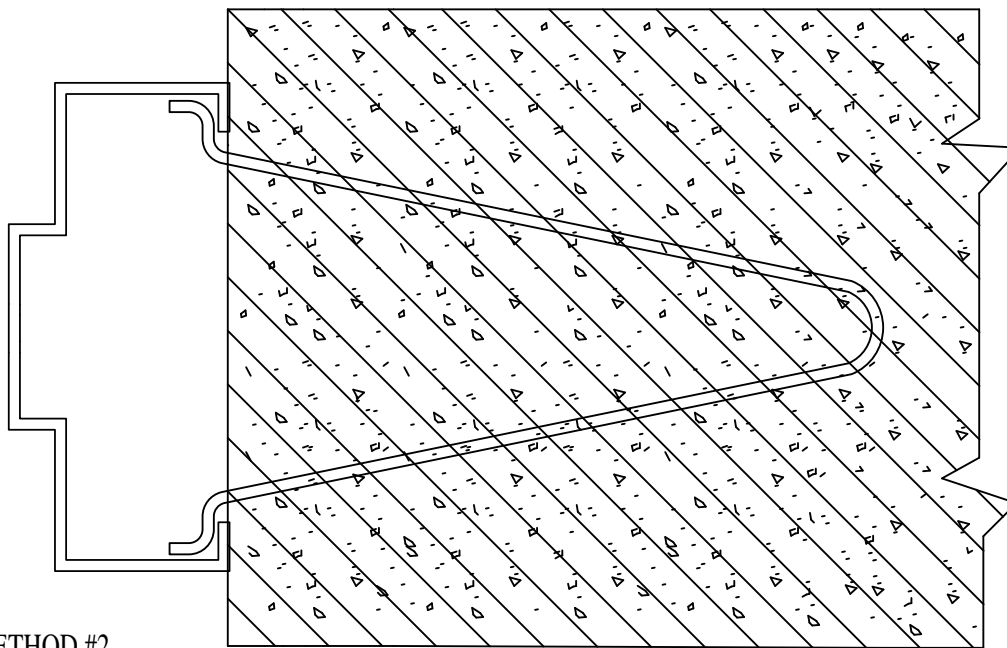
GLOBAL BUILDING PRODUCTS

Standard Masonry Wire Anchor Installation Methods



METHOD #1.

POSITION ANCHOR IN CONTACT WITH BACK FACE OF RABBETS OF FRAME. THEN FILL THE FRAME WITH MORTAR AS THE WALL IS BUILT.



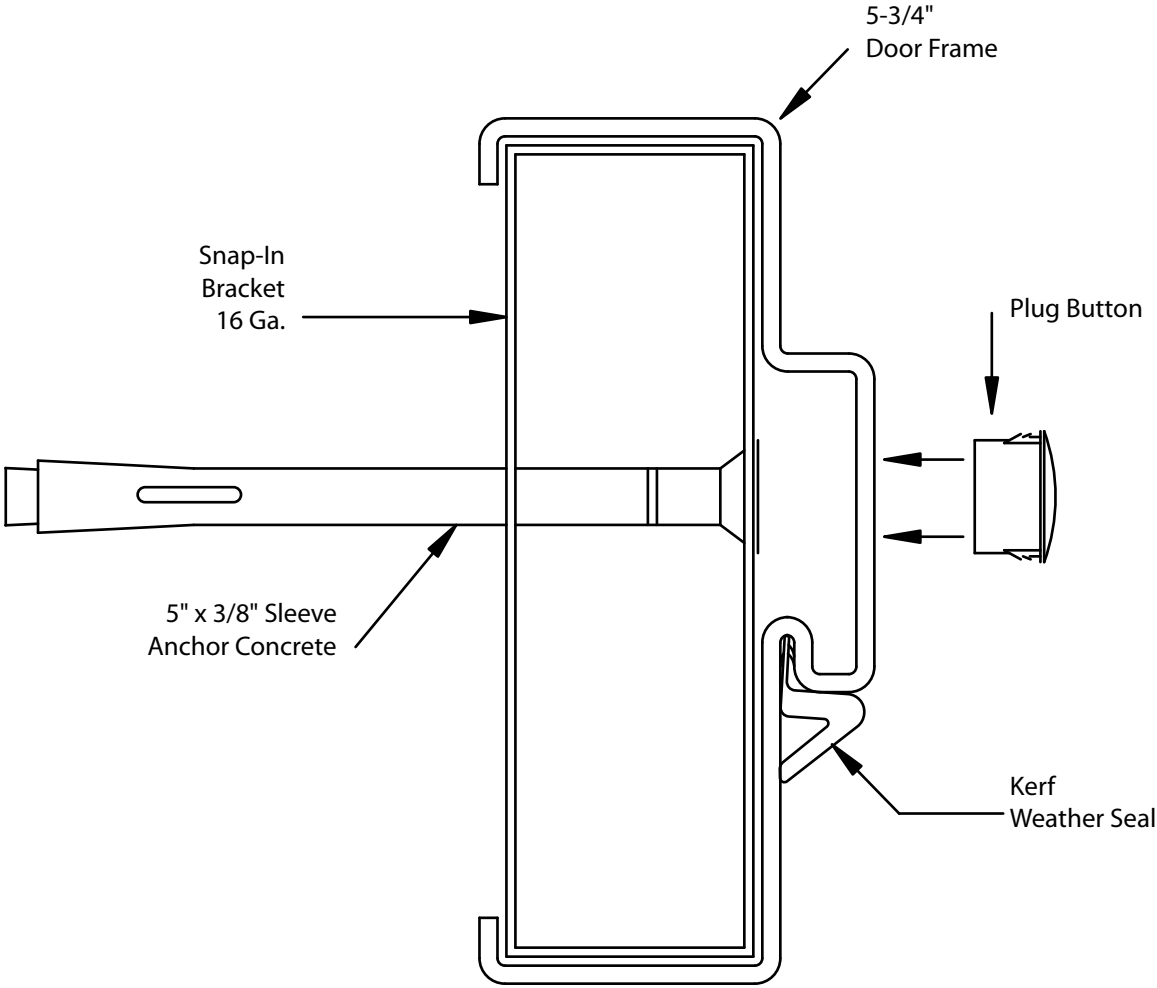
METHOD #2.

POSITION ANCHOR AGAINST BACKBENDS OF FRAME.

NOTE: BOTH METHODS ARE ADEQUATE. METHOD #1 WILL PROVIDE ADDITIONAL STRENGTH.

GLOBAL BUILDING PRODUCTS

Existing Opening Anchors For Block Or Poured Walls



GLOBAL BUILDING PRODUCTS

PREASSEMBLED MASONRY DOOR INSTALLATION GUIDE FOR WIRE ANCHORS

GENERAL PREINSTALLATION NOTE

DO NOT UNLOCK the door until the unit is completely installed. The locked door panel will help aid in keeping the door/frame square during the installation process. Unlocking the door prior to completion of the installation may result in operation problems of the door.

KEYS, ANCHORS, FASTENERS & INSTRUCTIONS for this door are located in the padded envelope that is attached to the door packaging.

This preassembled door has been prepared for a MASONRY APPLICATION. Masonry wire anchors have been provided.

INSTALLATION STEPS

1. After uncrating the door, position the unit at the desired location. Bracing will be required to steady the unit as the installation progresses.
2. PLUMB AND SQUARE DOOR UNIT. Check the gap between the top of the door panel and header. There MUST be an even reveal.
3. Six masonry wire anchors are provided with the unit (three per side). Position the anchors into the door frame so that they are approximately in line with the door hinges. As the blocks are being mortared, the wire anchors are to be sandwiched between the blocks into the mortar. Throughout this process, the unit MUST REMAIN PLUMB & SQUARE.
4. Anchor threshold to floor with the (3) anchors provided. Caulk or grout under the threshold.
5. Caulk or grout around the perimeter of the frame to prevent air / water infiltration.

GLOBAL BUILDING PRODUCTS

PREASSEMBLED MASONRY INSTALLATION GUIDE USING EXISTING OPENING ANCHORS

GENERAL PREINSTALLATION NOTE

DO NOT UNLOCK the door until the unit is completely installed. The locked door panel will help aid in keeping the door/frame square during the installation process. Unlocking the door prior to completion of the installation may result in operation problems of the door.

KEYS, ANCHORS, FASTENERS & INSTRUCTIONS for this door are located in the padded envelope that is attached to the door packaging.

This preassembled door has been prepared for an EXISTING OPENING APPLICATION. The frame been prepared with "existing opening anchors".

INSTALLATION STEPS

1. After uncrating the door, position the unit into the existing opening. Shimming will be required to steady the unit as the installation progresses.
2. PLUMB AND SQUARE DOOR UNIT. Check the gap between the top of the door panel and header. There MUST be an even reveal.
3. The frame has been prepared with six "existing opening anchors". Secure each anchor with the fasteners provided. After all the fasteners have been installed, cover the preps with the vinyl caps that have been provided. Throughout this process, the unit MUST REMAIN PLUMB & SQUARE.
4. Anchor threshold to floor with the anchors provided. Caulk or grout under the threshold.
5. Caulk or grout around the perimeter of the frame to prevent air / water infiltration.

GLOBAL BUILDING PRODUCTS

PREASSEMBLED MASONRY DOOR SPECIFICATIONS

Door Panel

CONSTRUCTION -- Standard door panels will be a flush 1-3/4" leaf, with each face formed of 20 or 18 gauge steel to present a completely smooth and unbroken surface on faces of door. Visible seams permitted at door edges. With 16 gauge steel channels forming the top and bottom end closures, the face panels shall be securely projection welded around their entire perimeters. Welding shall occur approximately every 2" on center.

Door panels and end closures shall be manufactured of hot dip material in the 0.6 ounce (A60) coating class conforming to ASTM designation A924 and A653. The material shall be treated in the mill to insure superior prime and paint adhesion.

The panels shall be securely bonded by a thermosetting adhesive to an odorless, rigid foam (nominal 1 lb. density) that is resistant to vermin, fungus, bacteria, moisture, mildew and rot.

HARDWARE PREPARATIONS -- Lockset locations are in accordance with ANSI/DHI A115.1 (mortise) and A115.2 (bored). The lockset reinforcement shall be 14 gauge.

Hinge mortises shall be reinforced with 10 gauge steel, welded in place, and tapped for 1-1/2 pairs of 4-1/2" x 4-1/2" templated hinges. Mortises shall extend the full width of hinge stile, and filler plates shall be provided to permit installation of hinges for right or left hand swing, as specified. The 4-1/2" preparation accepts both regular and heavyweight hinges.

All door panels shall be prepared with a 12 gauge closer reinforcement which will accept most regular and parallel arm applications. When called for on drawings, or otherwise specified, doors shall be prepared with 14 gauge reinforcements for panic devices and push-pull plates.

Door Frame

CONSTRUCTION -- Frame shall be formed of 16 gauge steel. Headers and jambs shall be mechanically connected for secure locking of the assembly. All corners shall present neat butted joints. All stop heights are 5/8". All frame returns are 7/16".

All frame members shall be manufactured of hot dip material in the 0.6 ounce (A60) coating class conforming to ASTM A924 and A653. The material shall be treated in the mill to insure superior prime and paint adhesion.

HARDWARE PREPARATIONS -- Hinges jambs shall be mortised and reinforced with 10 gauge steel welded in place and tapped for 1-1/2 pairs of 4-1/2" x 4-1/2" templated hinges. Hinge reinforcements shall be covered with a welded-in steel plaster guard. Strike jambs shall be mortised and reinforced to receive an ANSI/DHI A115.1 strike (4-7/8" Universal) or optional 2-3/4" strike. Strike jambs shall be prepared to receive three mutes.

* R-Value = 7

* U-Value=.14

GLOBAL BUILDING PRODUCTS

PREASSEMBLED MASONRY DOOR SPECIFICATIONS

Standard Hardware & Components

The THRESHOLD is factory installed, is 5-3/4" wide (matches frame depth) and is extruded aluminum. It is saddle shaped not exceeding 1/2" in height which meets ADA requirements.

The HINGES are factory installed and shall be 1-1/2 pair, 4-1/2" x 4-1/2", five knuckle, two ball bearings, with a non-rising removable pin. They are a templated standard weight with a US26D (Satin Chrome) finish.

The LOCKSET is factory installed and shall be a heavy duty commercial Grade 2 cylindrical lever with a US26D (Satin Chrome) finish having a 2-3/4" backset. The lockset complies with ANSI A156.2, Series 4000, Grade 2. The function on the lockset is an entrance function (Function #116, ANSI #F81).

The WEATHERSEAL is factory installed onto the two jambs and header.

The DOOR SWEEP is factory installed and is composed of extruded aluminum.

The SUBFRAME CLIPS are factory installed, adjustable and are composed of 12 gauge galvanized steel. There are two per door.

All of the FASTENERS required for installation of the preassembled door are included in the standard package.

The fasteners included are (4) 1/2" x 2-1/4" hex head sleeve anchors, (3) 1/4" x 2" flat head sleeve anchors and (18) #10 x 1" hex head tek screws.

Packaging

The entire door system is packaged in a heavy duty wooden crate that has been adapted for fork lift handling. A bubble packet attached to the door packaging includes instructions on the lockset and closer (if applicable), all the fasteners required for installation, keys for the lockset and three hinge shims.

Comformance Standards

- * The galvanized doors and frames comply with ASTM A924 general requirements for steel sheet metallic coated by the hot-dip process (formally ASTM A525).
- * Lockset preparation on door leafs shall be manufactured in accordance with ANSI/DHI A115.1 (mortise) and A115.2 (bored).
- * The strike edge of all door leafs shall be prepared for ANSI/DHI A115.1 strike (4-7/8" Universal).
- * The strike jambs shall be mortised and reinforced to receive an ANSI/DHI A115.1 strike (4-7/8" Universal).

Painting

The doors and frames supplied by Global have been manufactured in accordance with ANSI/SDI A250.8-2003 "SDI 100 Recommended Specifications for Standard Steel Doors and Frames". They have been prime painted in accordance with ANSI/SDI A250.10-1998 "Test Procedure and Acceptance Criteria for-Prime Painted Steel Surfaces for Steel Doors and Frames". This requires that the steel be thoroughly cleaned and chemically treated for maximum paint adhesion. Correspondingly, the prime paint meets the test criteria for salt spray, condensation, impact and film adhesion of A250.10-1998. The finished paint has been applied to all exposed surfaces in view and meets the performance criteria in accordance with ANSI/SDI A250.3-1999 "Test procedure and Acceptance Criteria for- Factory Applied Finish Painted accelerated weathering, impact, film adhesion and abrasion of A250.3-1999.