

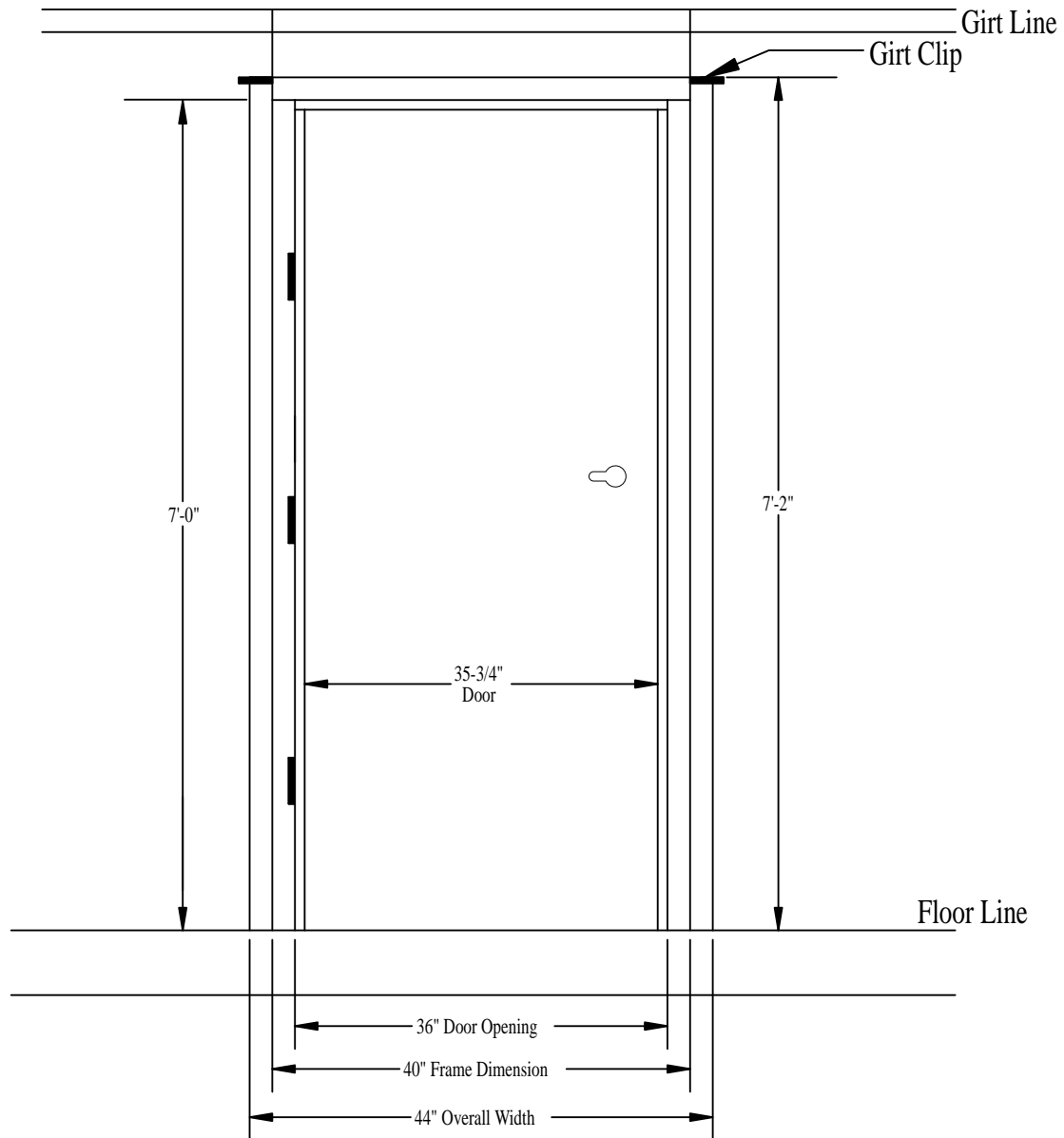
SECTION FOUR

Fire-Rated Preassembled Door Systems

<u>Table of Contents</u>	Page
3070 Fire-Rated Door System Description	1
4070 Fire-Rated Door System Description	2
6070 Fire-Rated Door System Description	3
Double Door Hardware Configuration Detail	4
Door Frame - Header Profile	5
Door Frame - Jamb Detail	6
Header - Jamb Connection	7
Door Frame - Hinge Preparation Detail	8
Door Frame - Strike Preparation Detail	9
Door Leaf Detail	10
Jamb - Subframe Connection	11
Subframe (Framed Opening) Detail	12
Wainscoting	13
Curb	14
Intermediate Girt	15
Existing Opening Anchors (EOA) For Block Or Poured Walls	16
Installation Instructions	17
Door Specifications	18 & 19

GLOBAL BUILDING PRODUCTS

3070 Fire-Rated Preassembled Door System

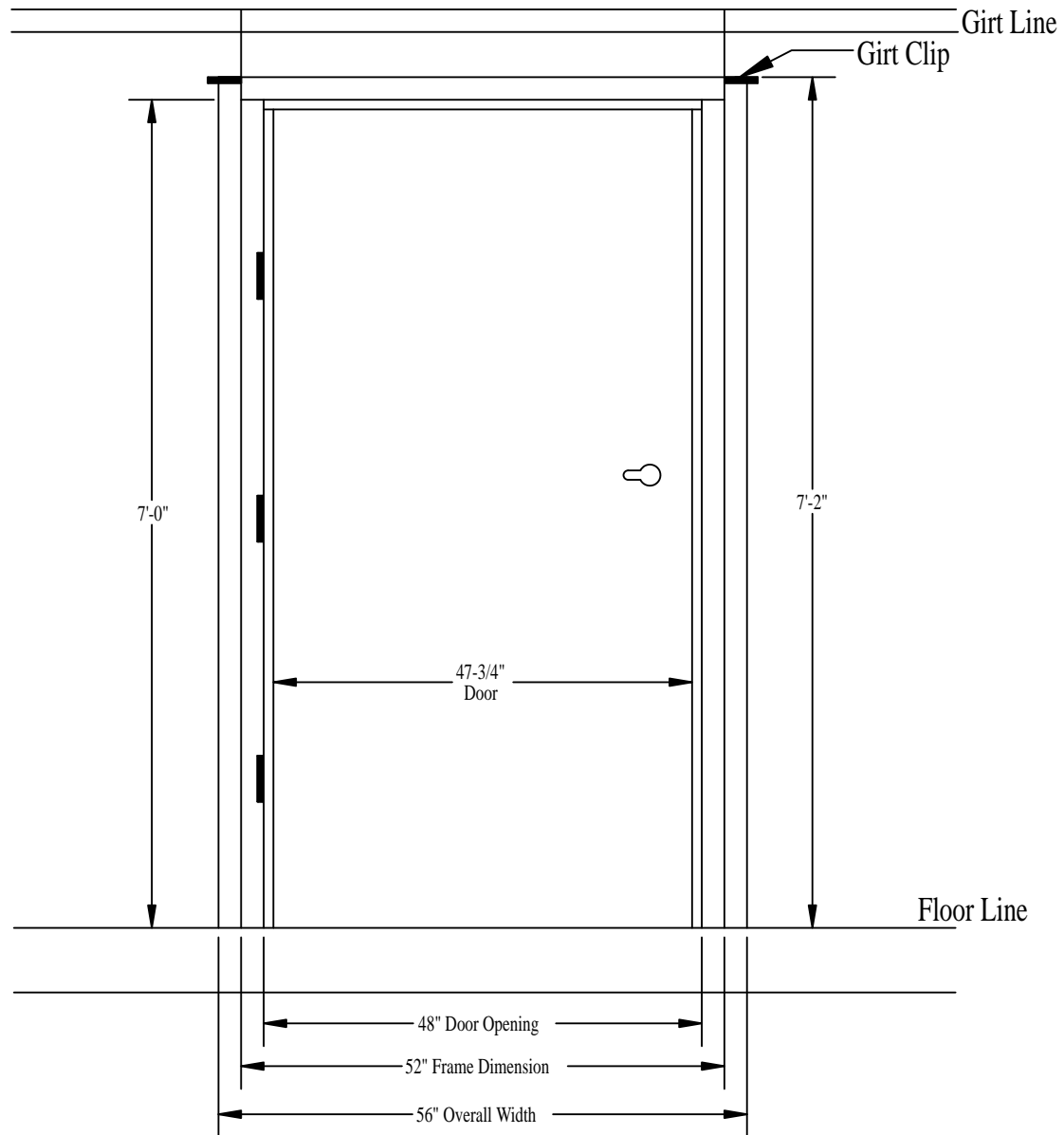


3070 Fire-Rated Preassembled Door Includes The Following Components:

1. 1-1/2 Hour (B-Label), 20 Gauge, Galvanized, Insulated, Door Leaf.
2. 5-3/4", 16 Gauge, Galvanized, Insulated, Door Frame.
3. 16 Gauge, Galvanized, Subframe (Framed Opening). Sized to match Girt Depth.
4. Cylindrical Lever Lock -- Grade 2 (26D Finish). (UL Rated)
5. Ball-Bearing Hinges -- 4-1/2" x 4-1/2" with a Non-Removable Pin (26D Finish).
6. 5-3/4", Aluminum Threshold - ADA Compliant.
7. Adjustable Sweep.
8. Kerfed Weatherseal.
9. 12 Gauge, Galvanized, Adjustable Girt Clips.
10. Grade 1 Auto Closer with Adjustable Closing/Latching Speeds - Sprayed Aluminum Finish. (UL Rated)
11. Packaging - Each Door System is Packaged in Heavy Duty Wood Crating.
12. All Fasteners and Anchors Included for Complete Installation.

GLOBAL BUILDING PRODUCTS

4070 Standard Preassembled Door System

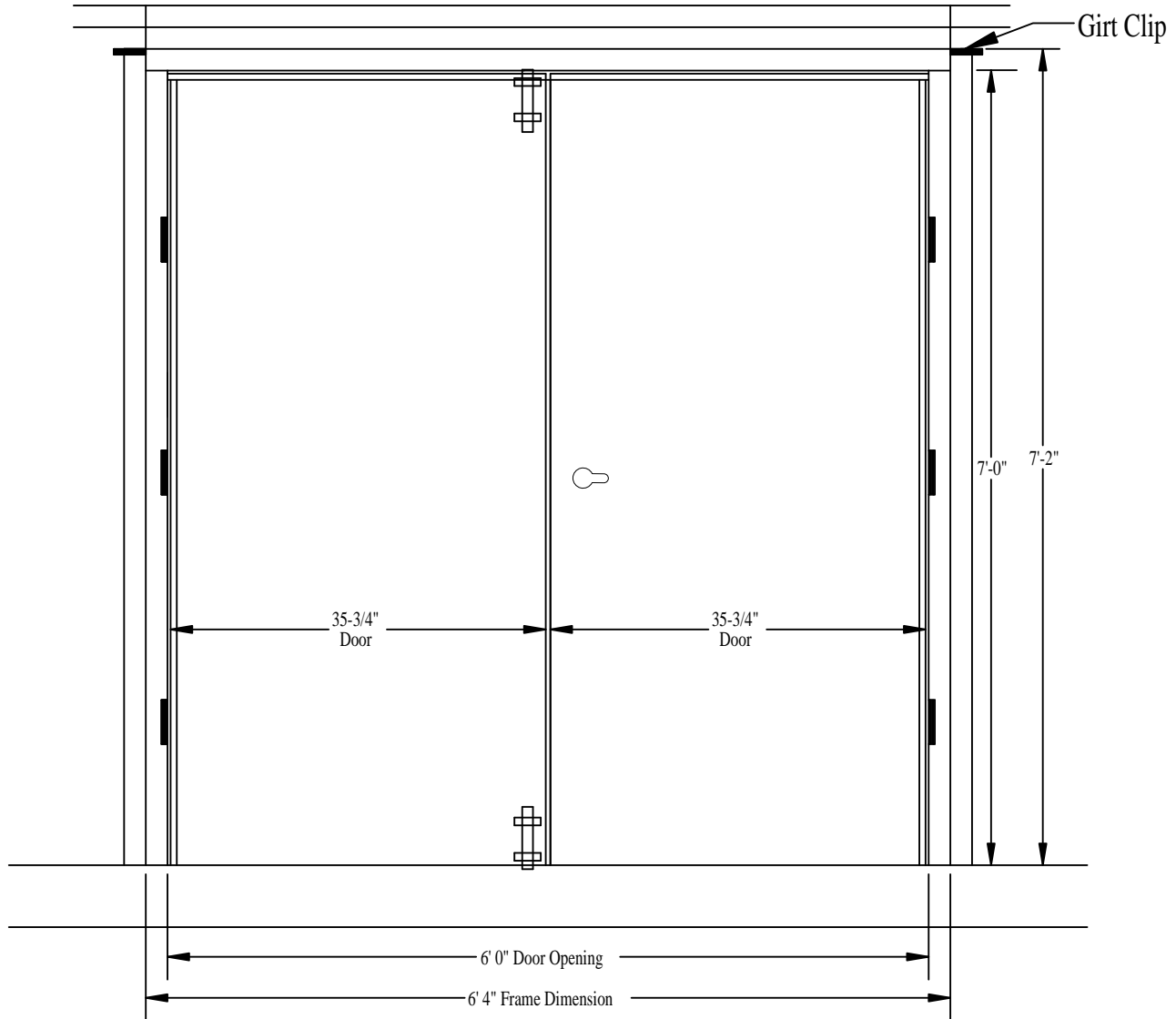


4070 Fire-Rated Preassembled Door Includes The Following Components:

1. 1-1/2 Hour (B-Label), 18 Gauge, Galvannealed, Insulated, Door Leaf.
2. 5-3/4", 16 Gauge, Galvannealed, Insulated, Door Frame.
3. 16 Gauge, Galvannealed, Subframe (Framed Opening). Sized to match Girt Depth.
4. Cylindrical Lever Lock -- Grade 2 (26D Finish). (UL Rated)
5. Ball-Bearing Hinges -- 4-1/2" x 4-1/2" with a Non-Removable Pin (26D Finish).
6. 5-3/4", Aluminum Threshold - ADA Compliant.
7. Adjustable Sweep.
8. Kerfed Weatherseal.
9. 12 Gauge, Galvannealed, Adjustable Girt Clips.
10. Grade 1 Auto Closer with Adjustable Closing/Latching Speeds - Sprayed Aluminum Finish. (UL Rated)
11. Packaging - Each Door System is Packaged in Heavy Duty Wood Crating.
12. All Fasteners and Anchors Included for Complete Installation.

GLOBAL BUILDING PRODUCTS

6070 Preassembled Door System

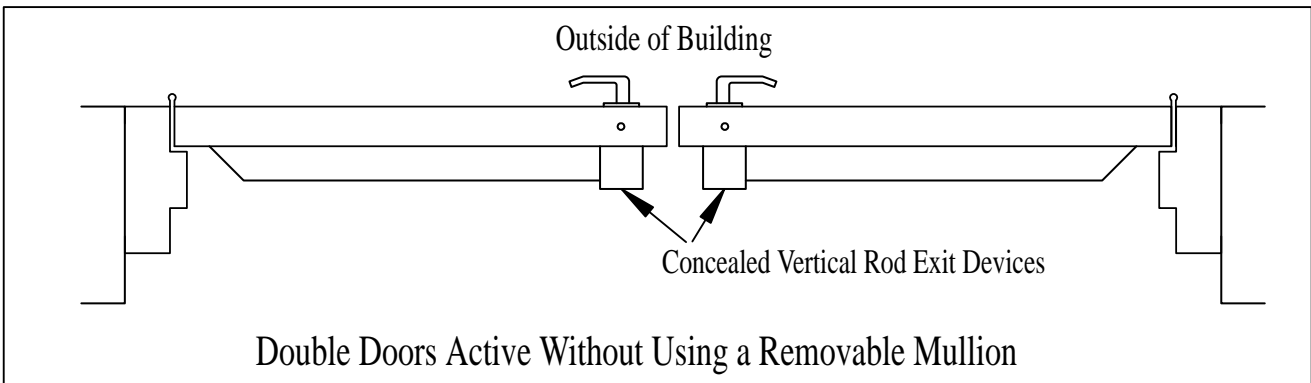
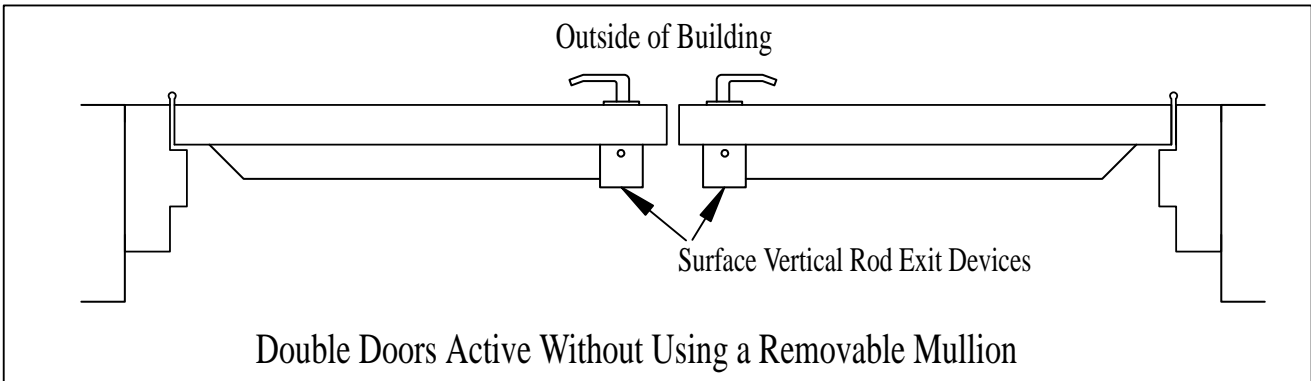
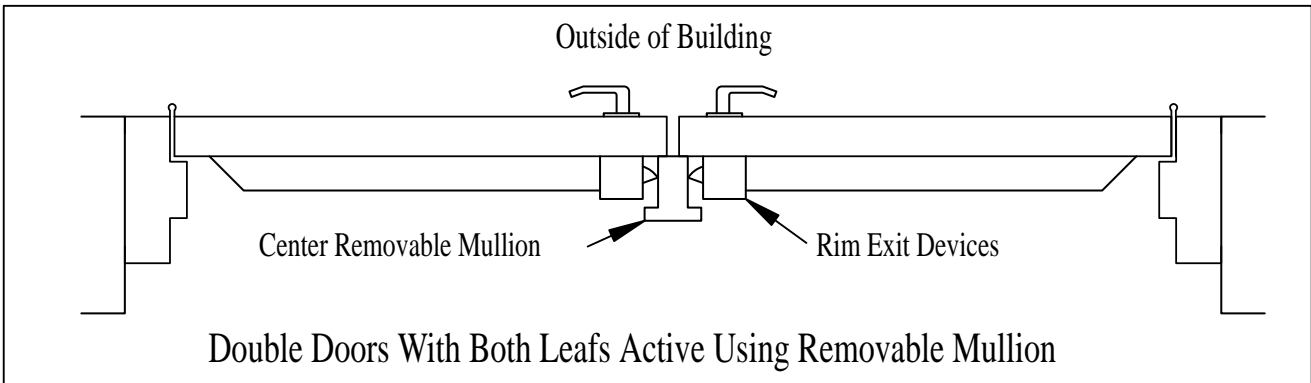
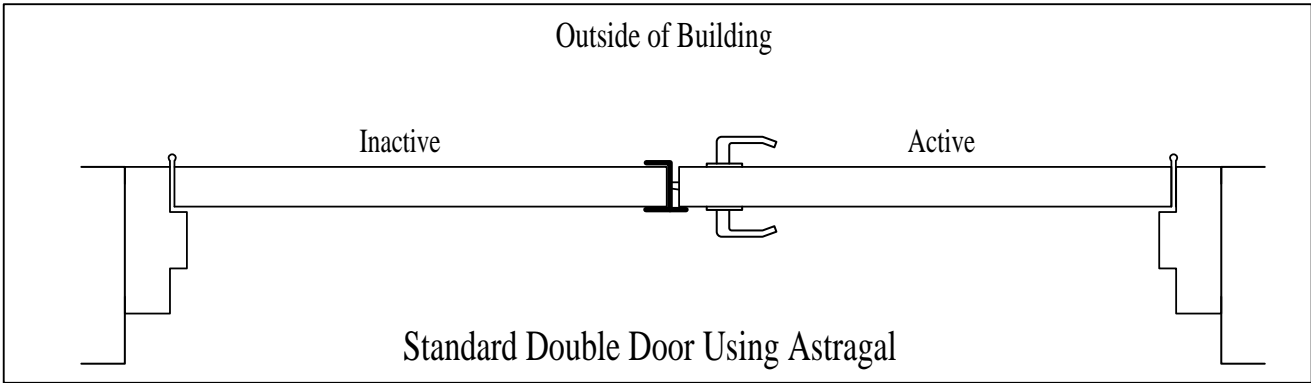


6070 Preassembled Door Includes The Following Components:

1. 1-1/2 Hour (B-Label), 20 Gauge, Galvannealed, Insulated, Door Leaf.
2. 5-3/4", 1-1/2 Hour (B-Label) 16 Gauge, Galvannealed, Insulated, Door Frame (2" or 4" header).
3. 16 Gauge, Galvannealed Overlapping Astragal -- Attached to the inactive leaf.
4. 16 Gauge Galvannealed Subframe (Framed Opening) Sized To Match Girt Depth.
5. (1) Cylindrical Lever Lock -- Grade 2 (26D Finish) -- Installed on Active leaf only.
6. (2) Surface Bolts (Top and Bottom) Attached To Inactive Leaf (26D Finish).
7. (6) Ball-Bearing Hinges -- 4-1/2" x 4-1/2" with a Non-Removable Pin (26D Finish).
8. 5-3/4", Aluminum Threshold - ADA Compliant.
9. (2) Adjustable Sweeps.
10. Kerfed Weatherseal.
11. 12 Gauge Galvannealed Adjustable Girt Clips.
12. (1) Heavy Duty Auto Closer -- Sprayed Aluminum Finish -- Mounted to Active Leaf only. (UL Rated)
13. Packaging - Each Door System is packaged in Heavy Duty Wood Crating.
14. All Fasteners and Anchors Included for Complete Installation.

GLOBAL BUILDING PRODUCTS

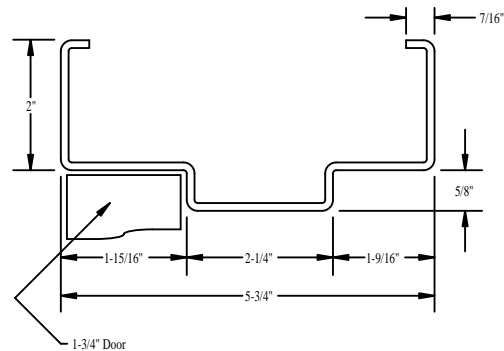
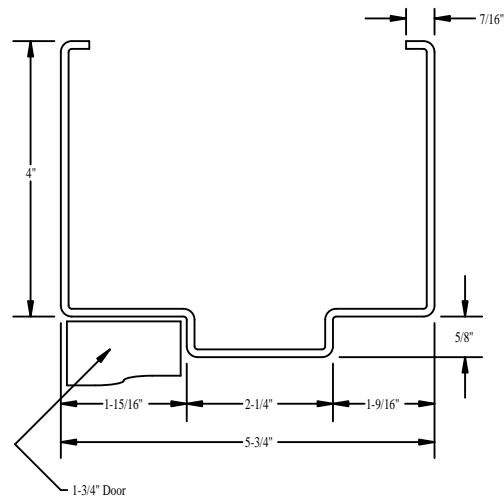
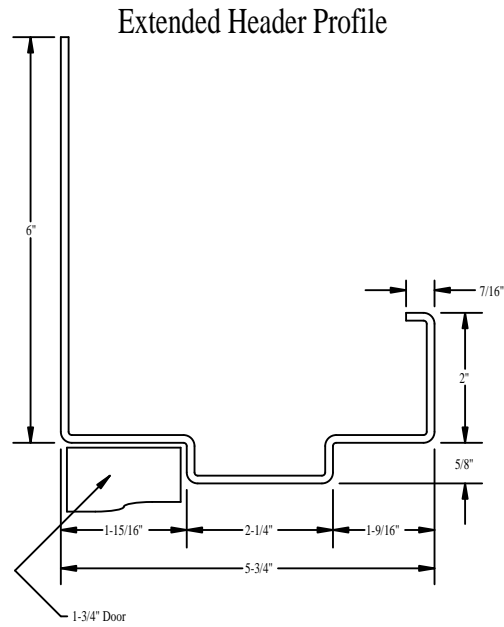
Double Door Hardware Configurations



GLOBAL BUILDING PRODUCTS

Door Frame - Header Detail

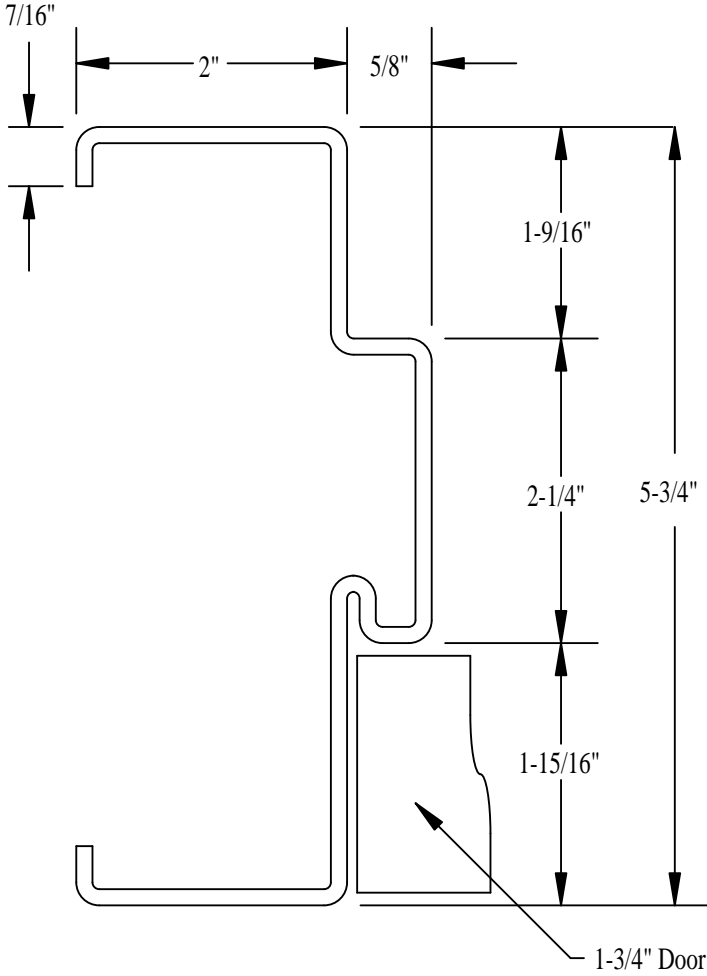
16 GA Galvannealed



GLOBAL BUILDING PRODUCTS

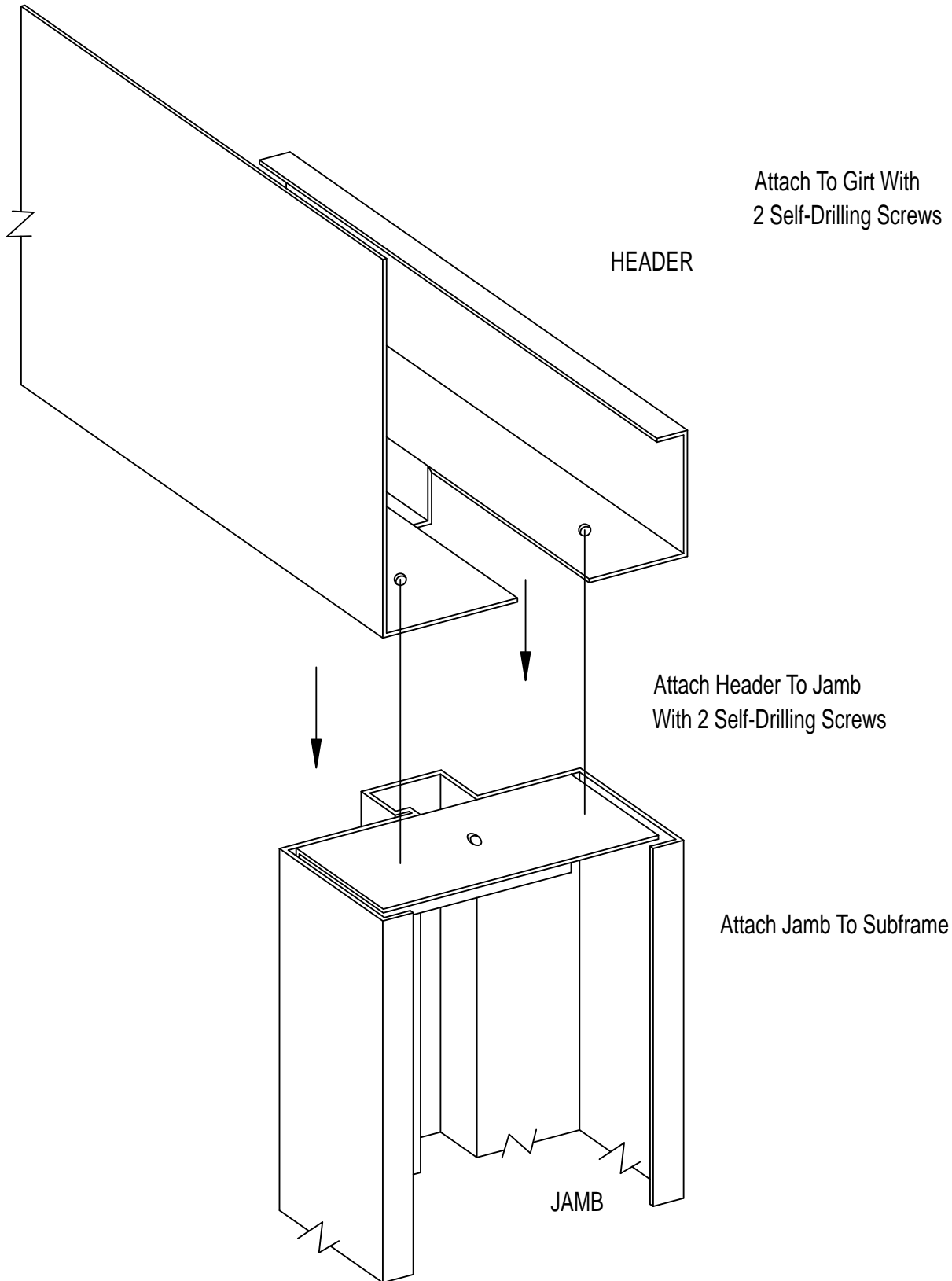
Door Frame - Jamb Detail 16 Ga. Galvannealed

Strike & Hinge Frame Profile



GLOBAL BUILDING PRODUCTS

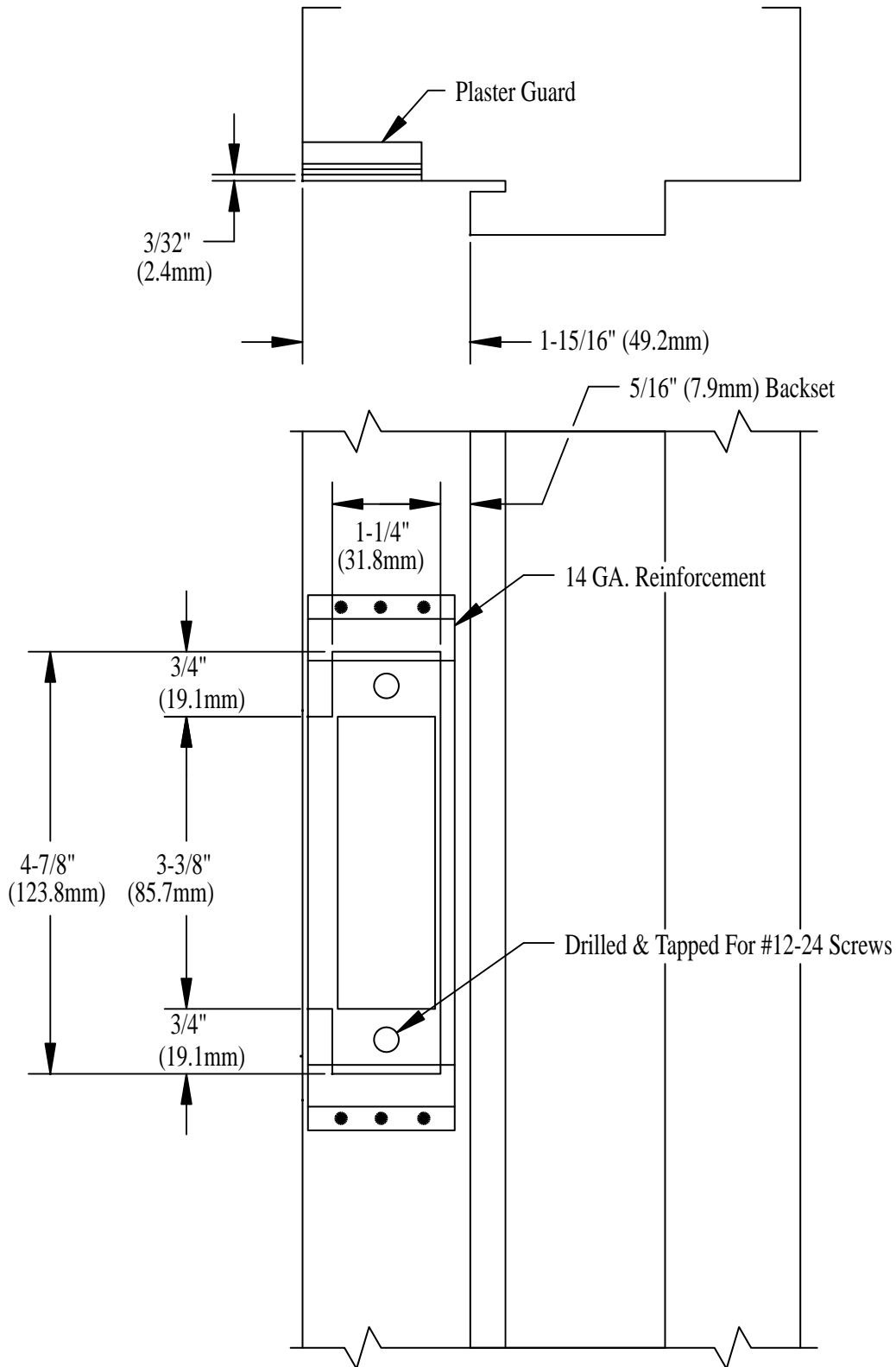
Header & Jamb Joinery For 6" Header



GLOBAL BUILDING PRODUCTS

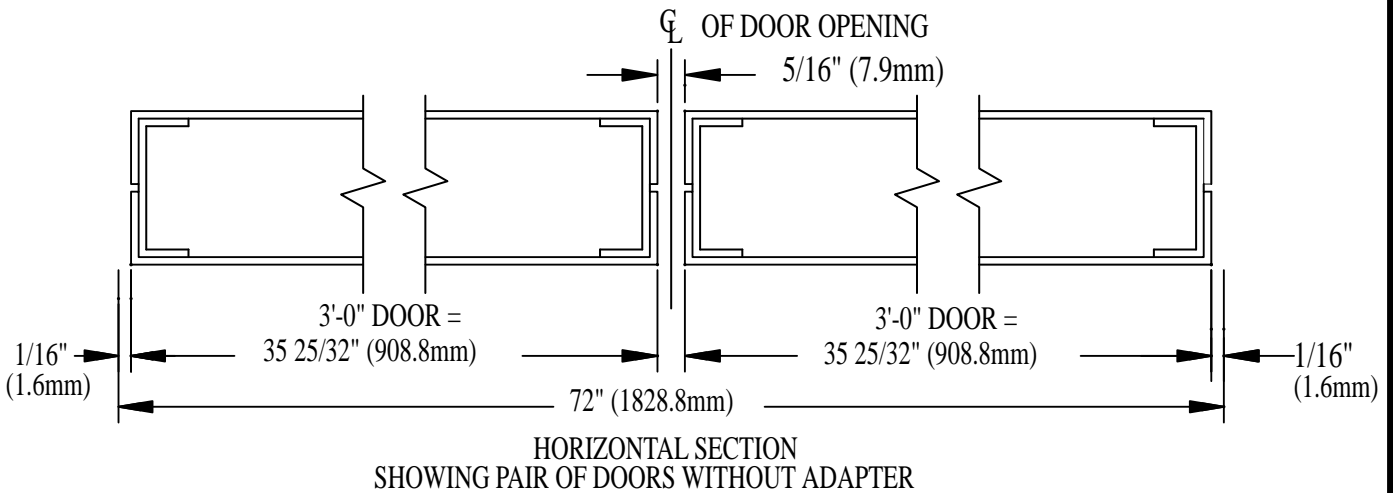
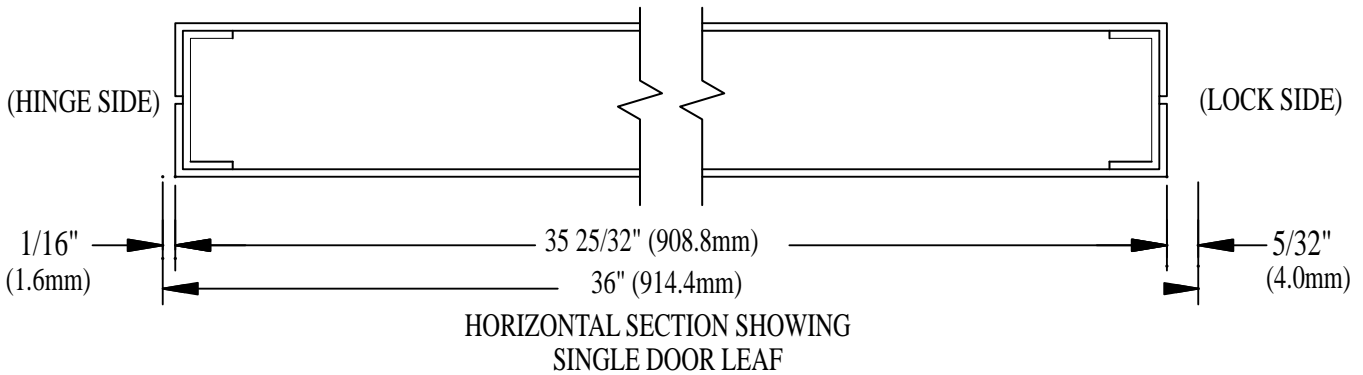
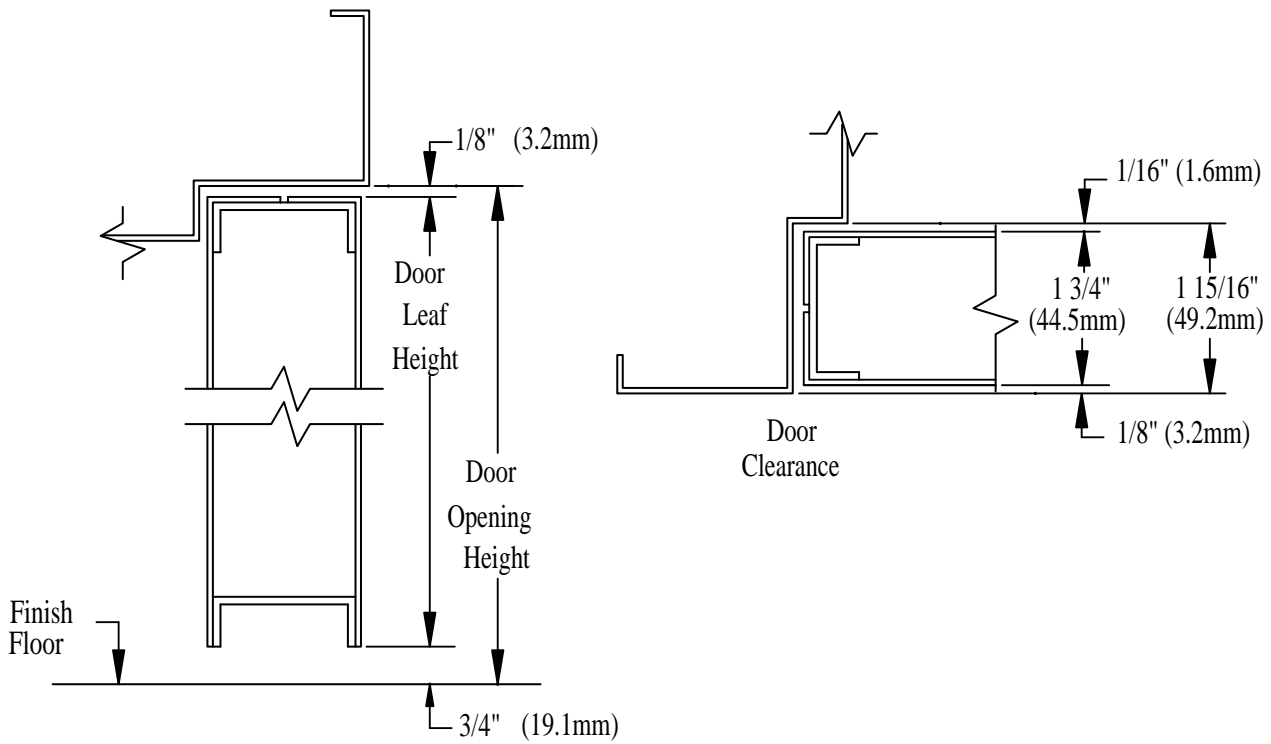
A.N.S.I. 115.1 4-7/8" (123.8mm)

Strike Preparation



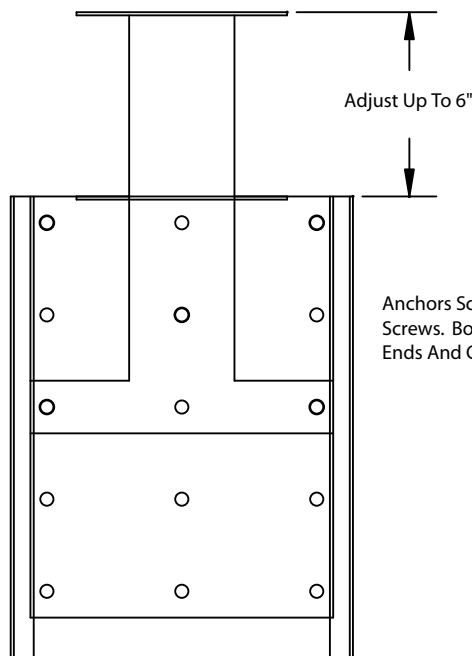
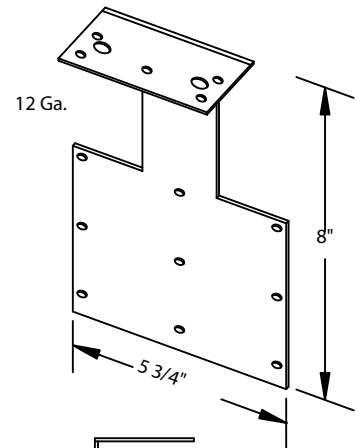
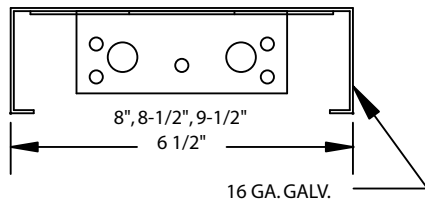
GLOBAL BUILDING PRODUCTS

Door Leaf Detail



GLOBAL BUILDING PRODUCTS

Subframe (Framed Opening) Detail

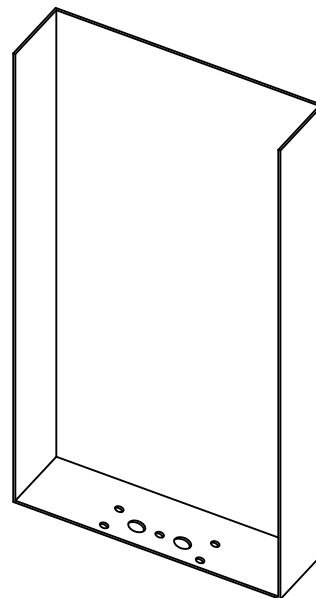


Anchors Screwed To Jamb With #10 1-1/4" Tek Screws. Both Anchors Should Be Flush With Ends And Centered In Jamb Prior To Shipping.

16 Gauge Galvannealed Subjamb

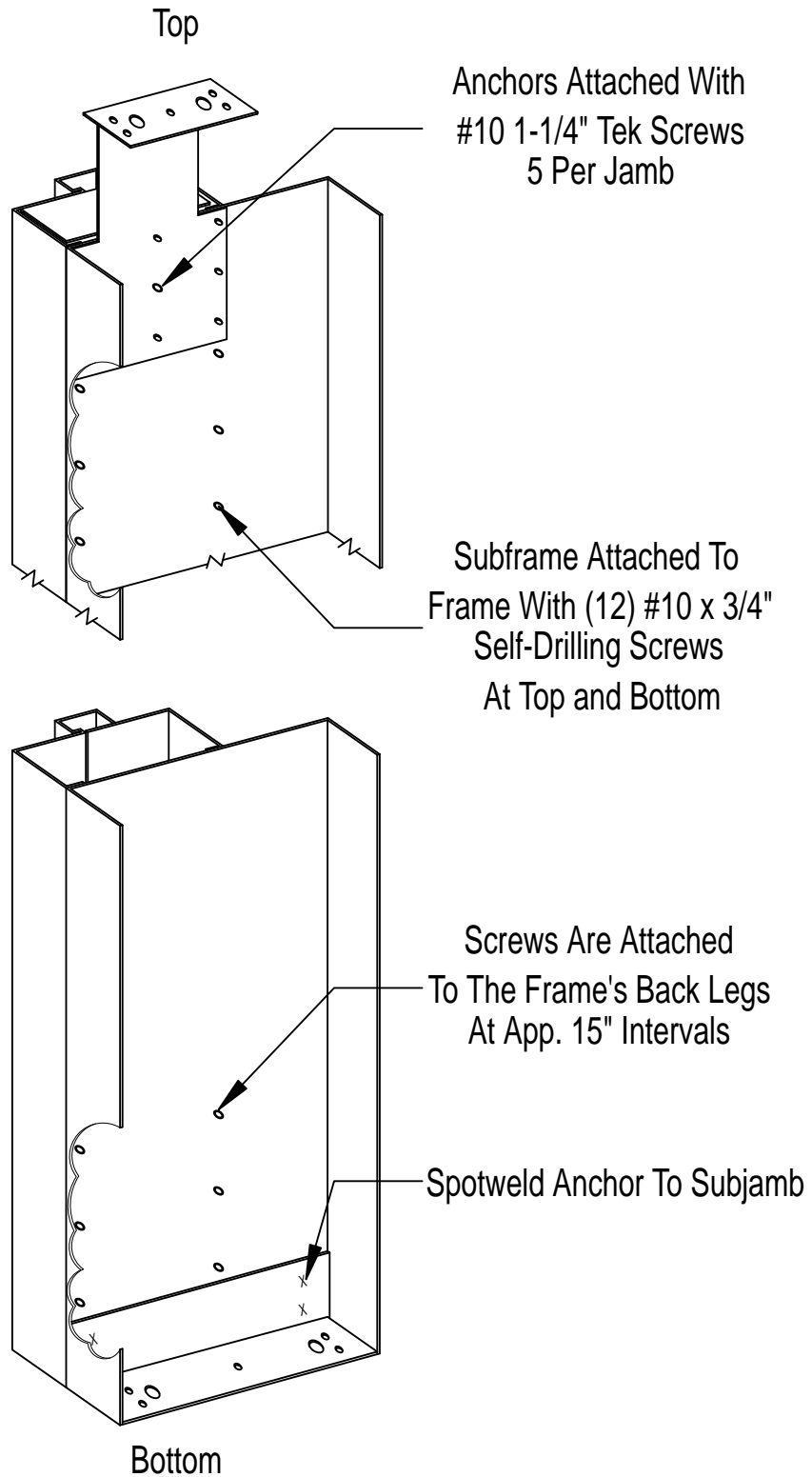
Standard Sizes
(To Match Girt Depth)
6-1/2", 8", 8-1/2", 9-1/2"

Bottom Anchor Detail
(Part of Subjamb)



GLOBAL BUILDING PRODUCTS

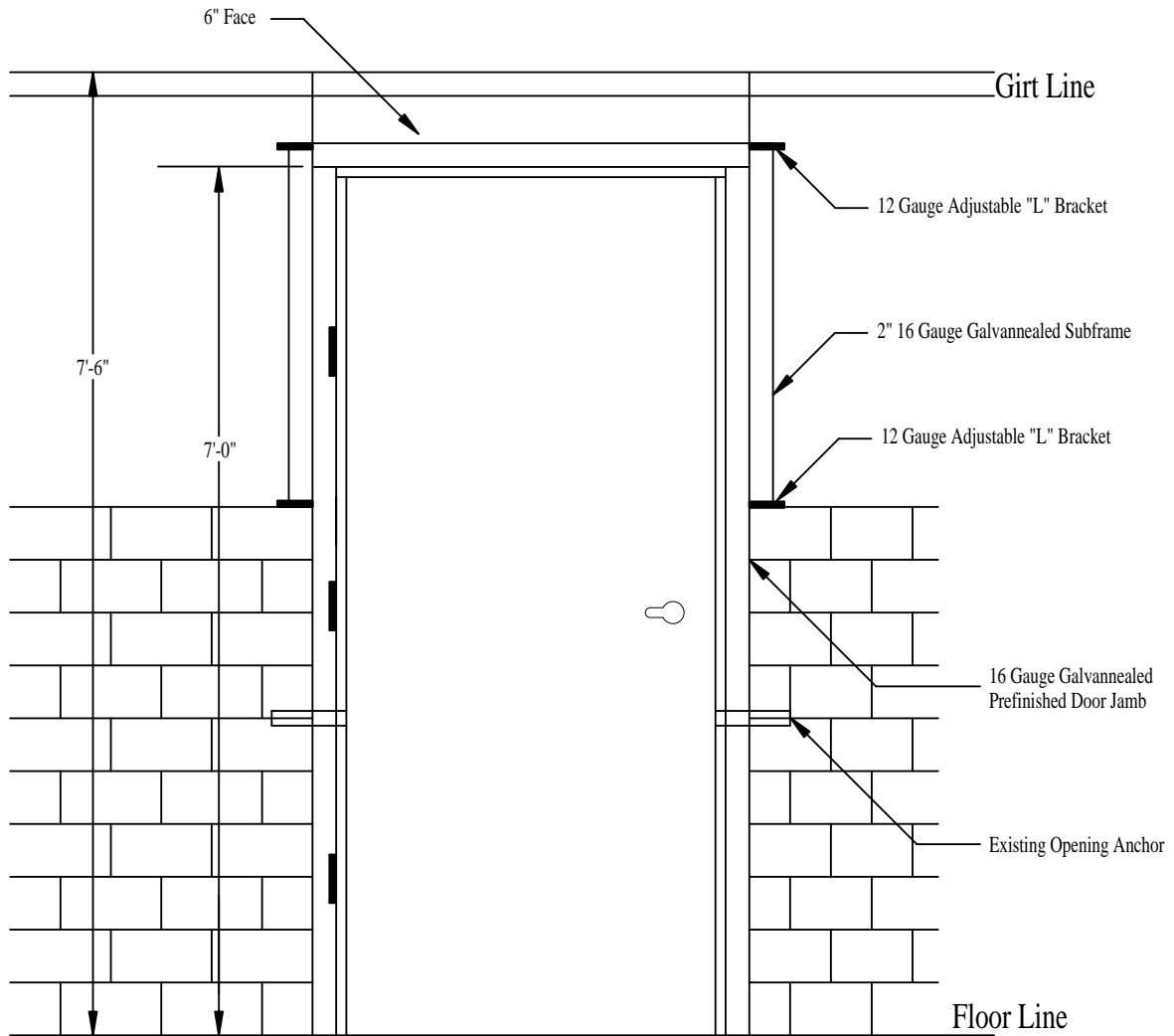
Jamb And Subframe



GLOBAL BUILDING PRODUCTS

Opening Detail For Half Wall Applications (Wainscoat)

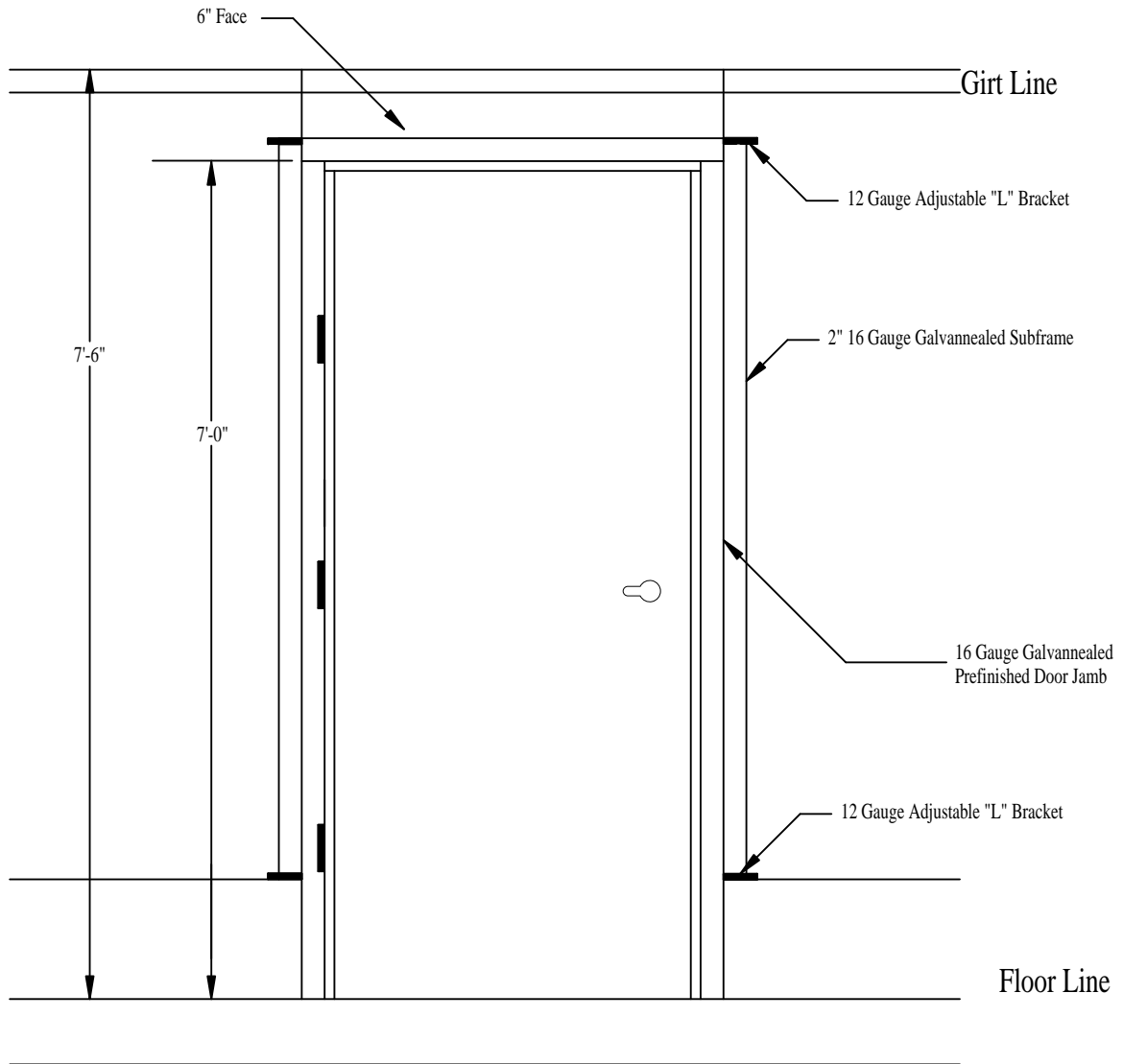
Subframe is cut to length and set on the masonry. Existing opening anchors are provided if the height of the masonry demands it.



GLOBAL BUILDING PRODUCTS

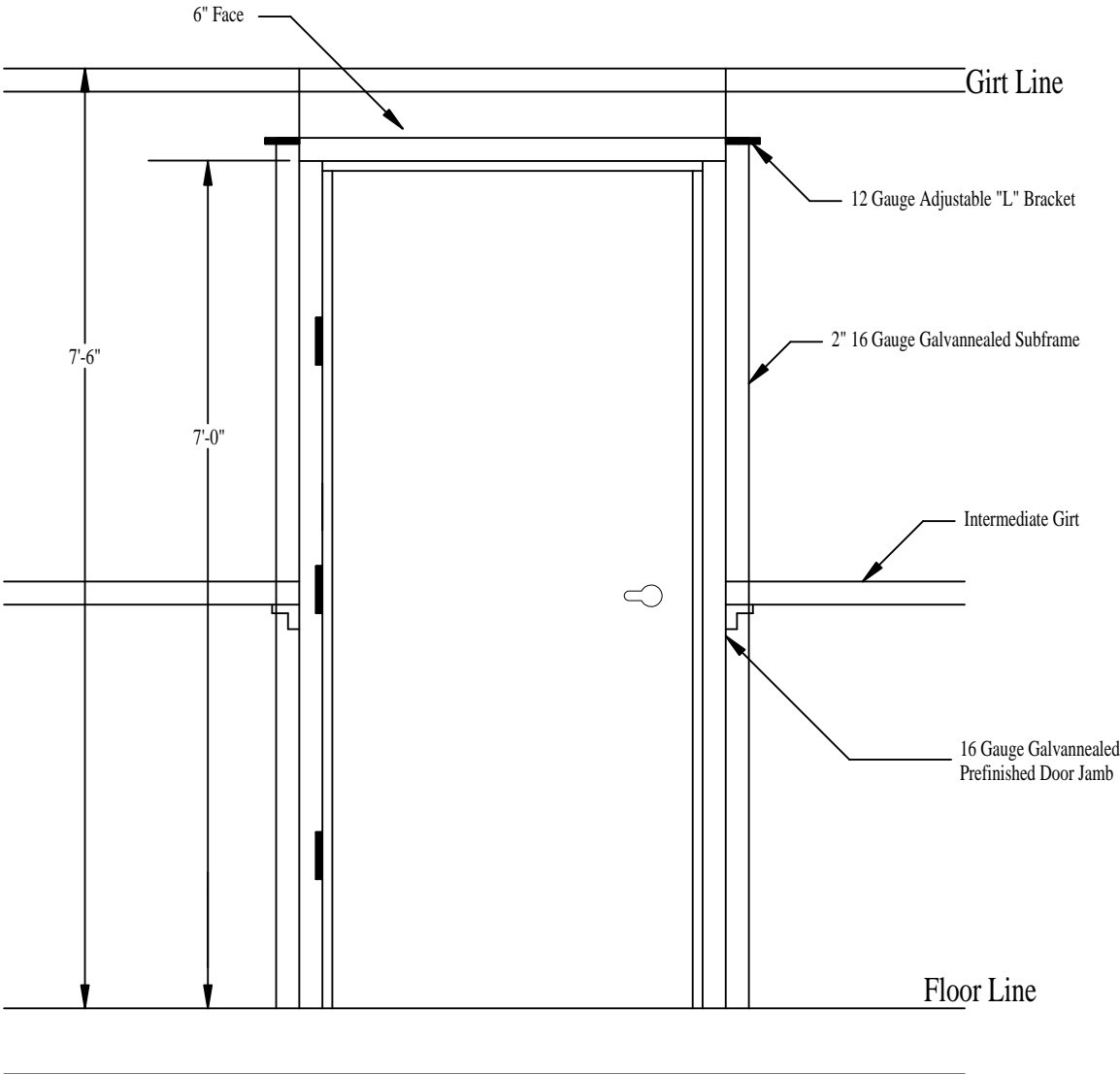
Opening Detail For 12" Footer Applications (Curb)

Subframe is cut to length and set on the masonry. Existing opening anchors are provided if the height of the masonry demands it.



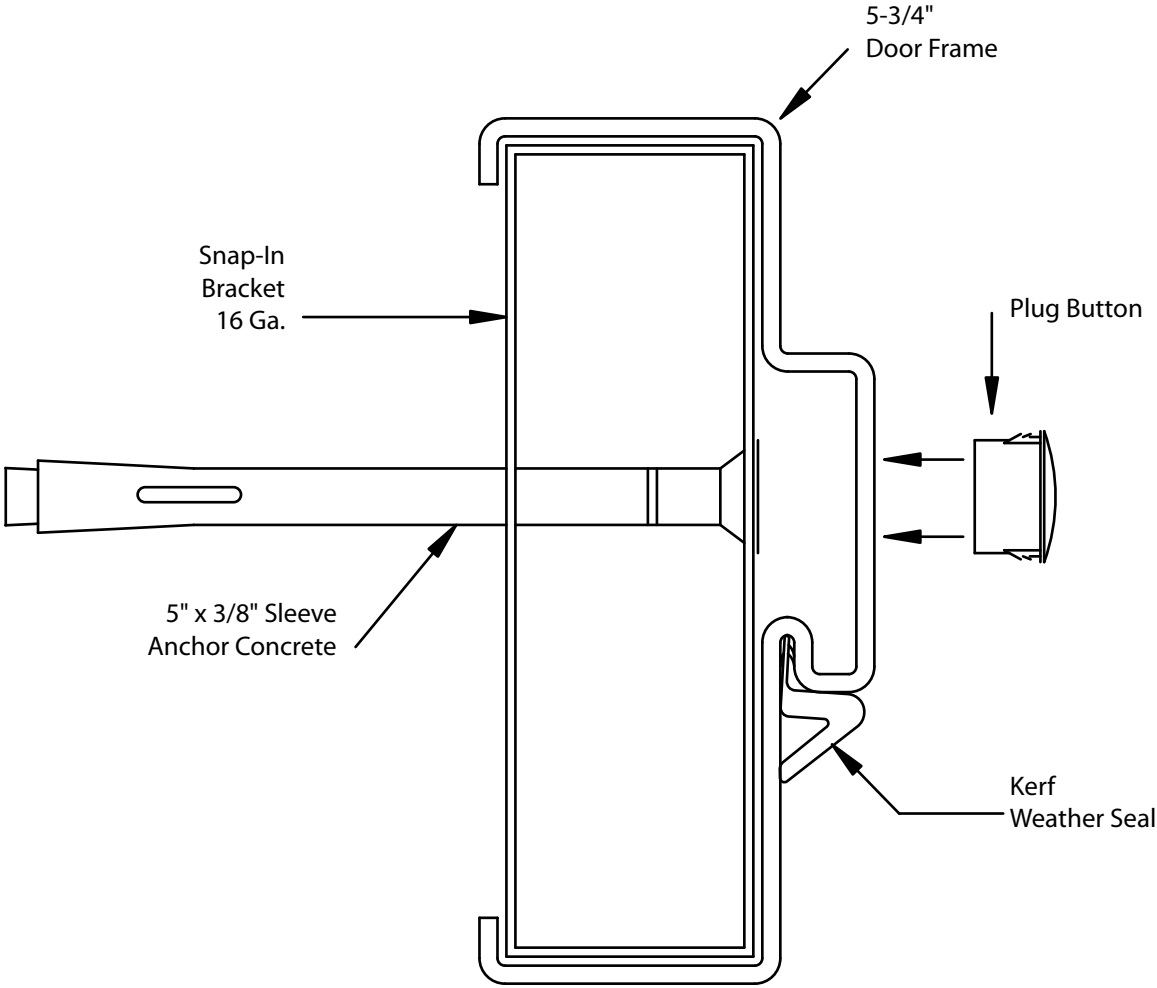
GLOBAL BUILDING PRODUCTS

Opening Detail For Intermediate Girt Applications



GLOBAL BUILDING PRODUCTS

Existing Opening Anchors For Block Or Poured Walls



GLOBAL BUILDING PRODUCTS

PREASSEMBLED DOOR INSTALLATION GUIDE

GENERAL PREINSTALLATION NOTE

KEYS, ANCHORS, FASTENERS & INSTRUCTIONS for this door are located in the padded envelope that is attached to the door packaging.

INSTALLATION STEPS

1. After uncrating the door, position it under the girt with the outside edge of the threshold flush with the edge of the concrete. The extended header should be up against the outside face of the girt.
2. **PLUMB AND SQUARE DOOR UNIT.** Check the gap between the top of door and header. It **MUST** be consistent.
3. When the door is plumb, secure the door header to the face of the girt with (2) self-drilling screws. These screws can be removed later if they should interfere with the sheeting or trim.
4. Anchor the door to the floor with the base clip and the (4) anchor bolts provided.
5. Back out the screws holding the top jamb clips and slide clips up to wall girt. Attach clip to wall girt using the self-drilling tek screws provided.
6. Anchor threshold to floor using (3) anchors provided. Caulking of threshold is required.
7. Adjust weather-stripping and sweep to eliminate light leaks.

ADJUSTMENTS and OPERATION

1. Check frame to ensure unit is **PLUMB AND SQUARE**. If Door System is **NOT PLUMB AND SQUARE** it may affect operation functions of the hardware.
2. Check floor level at each jamb. Shim under jamb needing adjustment.
3. If gap around door is unequal, shim hinges appropriately.

GLOBAL BUILDING PRODUCTS

PREASSEMBLED DOOR SPECIFICATIONS

Door Panel

CONSTRUCTION -- Standard door panels will be a flush 1-3/4" leaf with each face formed of 20 or 18 gauge steel to present a completely smooth and unbroken surface on faces of door. Visible seams permitted at door edges. With 16 gauge steel channels forming the top and bottom end closures, the face panels shall be securely projection welded around their entire perimeters. Welding shall occur approximately every 2" on center.

Door panels and end closures shall be manufactured of hot dip material in the 0.6 ounce (A60) coating class conforming to ASTM designation A924 and A653. The material shall be treated in the mill to ensure superior prime and paint adhesion.

The panels shall be securely bonded by a thermosetting adhesive to an odorless, rigid foam (nominal 1 lb. density) that is resistant to vermin, fungus, bacteria, moisture, mildew and rot.

HARDWARE PREPARATIONS -- Lockset locations are in accordance with ANSI/DHI A115.1 (mortise) and A115.2 (bored). The lockset reinforcement shall be 14 gauge.

Hinge mortises shall be reinforced with 10 gauge steel welded in place and tapped for 1-1/2 pairs of 4-1/2" x 4-1/2" templated hinges. Mortises shall extend the full width of hinge stile and filler plates shall be provided to permit installation of hinges for right or left-hand swing, as specified. The 4-1/2" preparation shall accept both regular and heavyweight hinges.

All door panels shall be prepared with a 12 gauge closer reinforcement which will accept most regular and parallel arm applications. When called for on drawings, or otherwise specified, doors shall be prepared with 14 gauge reinforcements for panic devices and push-pull plates.

Door Frame

CONSTRUCTION -- Frame shall be formed of 16 gauge steel. Headers and jambs shall be mechanically connected for secure locking of the assembly. All corners shall present neat butted joints. All stop heights are 5/8". All frame returns are 7/16".

All frame members shall be manufactured of hot-dip material in the 0.6 ounce (A60) coating class conforming to ASTM A924 and A653. The material shall be treated in the mill to ensure superior prime and paint adhesion.

HARDWARE PREPARATIONS -- Hinges jambs shall be mortised and reinforced with 10 gauge steel welded in place and tapped for 1-1/2 pairs of 4-1/2" x 4-1/2" templated hinges. Hinge reinforcements shall be covered with a welded-in steel plaster guard. Strike jambs shall be mortised and reinforced to receive an ANSI/DHI A115.1 strike (4-7/8" Universal) or optional 2-3/4" strike. Strike jambs shall be prepared to receive three mutes.

Subframing

The subframing creates a framed opening and consists of two galvanized steel 16 gauge C-channels that matches the girt depth for the building. They shall be factory installed and can be prepared to meet most any application (curbs, wainscote). For masonry applications, wire anchors will be provided in lieu of the subframing, or in the case of finished openings, the door frames can be prepared with existing opening anchors.

GLOBAL BUILDING PRODUCTS

PREASSEMBLED DOOR SPECIFICATIONS

Standard Hardware & Components

The THRESHOLD is factory installed, is 5-3/4" wide (matches frame depth) and is an extruded aluminum. It is saddle shaped not exceeding 1/2" in height which meets ADA requirements.

The HINGES are factory installed and shall be 1-1/2 pair, 4-1/2" x 4-1/2", five knuckle, two ball bearings, with a non-rising removable pin. They are a templated standard weight with a US26D (Satin Chrome) finish.

The LOCKSET is factory installed and shall be a heavy duty commercial Grade 2 cylindrical lever with a US26D (Satin Chrome) finish having a 2-3/4" backset. The lockset complies with ANSI A156.2, Series 4000, Grade 2. The function on the lockset is an entrance function (Function #116, ANSI #F81).

The WEATHERSEAL is factory installed onto the two jambs and header, and is kerfed.

The DOOR SWEEP is factory installed and is composed of extruded aluminum.

The SUBFRAME CLIPS are factory installed, adjustable and are composed of 12 gauge galvanized steel. There are two per door.

All of the FASTENERS required for installation of the preassembled door are included in the standard package.

The fasteners included are (4) 1/2" x 2-1/4" hex head sleeve anchors, (3) 1/4" x 2" flat head sleeve anchors and (18) #10 x 1" hex head tek screws.

Packaging

The entire door system is packaged in a heavy-duty wooden crate that has been adapted for fork lift handling. A bubble packet on the door includes instructions on the lockset and closer (if applicable), all the fasteners required for installation, keys for the lockset and three hinge shims.

Conformance Standards

- * The galvanized doors and frames comply with ASTM A924 general requirements for steel sheet metallic coated by the hot-dip process (formally ASTM A525).
- * Lockset preparation on door leafs shall be manufactured in accordance with ANSI/DHI A115.1 (mortise) and A115.2 (bored).
- * The strike edge of all door leafs shall be prepared for ANSI/DHI A115.1 strike (4-7/8" Universal).
- * The strike jambs shall be mortised and reinforced to receive an ANSI/DHI A115.1 strike (4-7/8" Universal).

Painting

The doors and frames supplied by Global have been manufactured in accordance with ANSI/SDI A250.8-2003 "SDI 100 Recommended Specifications for Standard Steel Doors and Frames". They have been prime painted in accordance with ANSI/SDI A250.10-1998 "Test Procedure and Acceptance Criteria for-Prime Painted Steel Surfaces for Steel Doors and Frames". This requires that the steel be thoroughly cleaned and chemically treated for maximum paint adhesion. Correspondingly, the prime paint meets the test criteria for salt spray, condensation, impact and film adhesion of A250.10-1998. The finished paint has been applied to all exposed surfaces in view and meets the performance criteria in accordance with ANSI/SDI A250.3-1999 "Test procedure and Acceptance Criteria for- Factory Applied Finish Painted accelerated weathering, impact, film adhesion and abrasion of A250.3-1999.