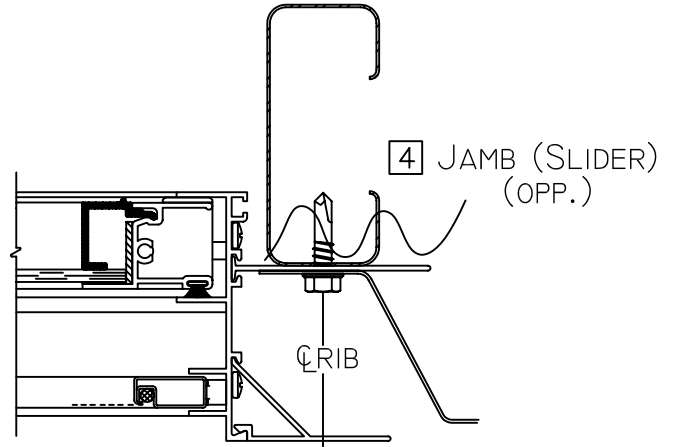
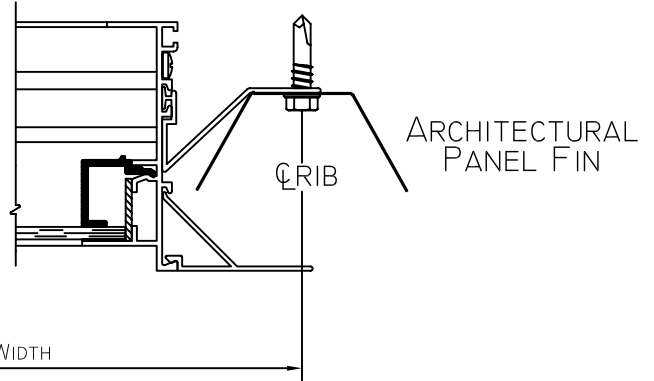


1 HEAD



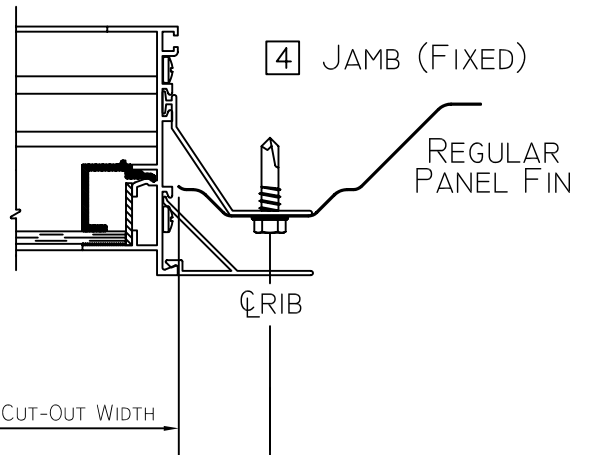
NOMINAL WINDOW WIDTH

4 JAMB (FIXED)



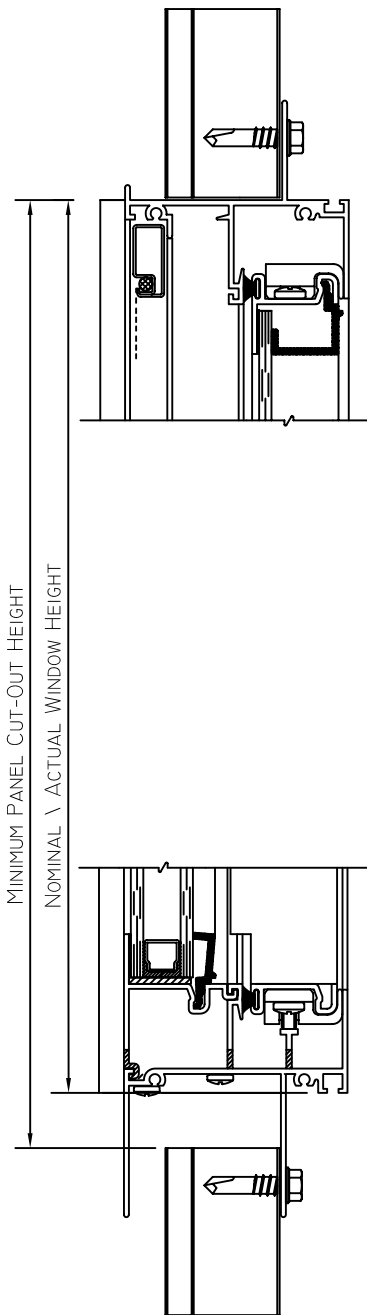
NOMINAL WINDOW WIDTH

4 JAMB (FIXED)



MINIMUM PANEL CUT-OUT WIDTH

NOMINAL WINDOW WIDTH



2 SILL