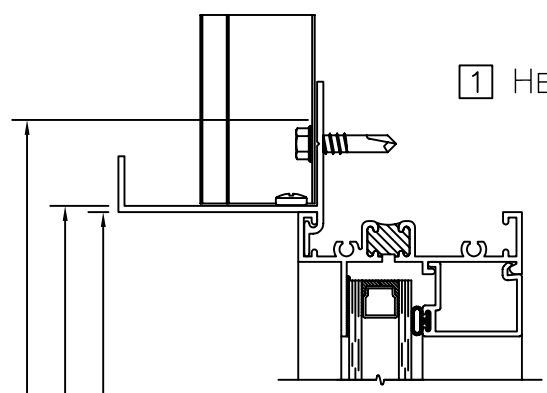
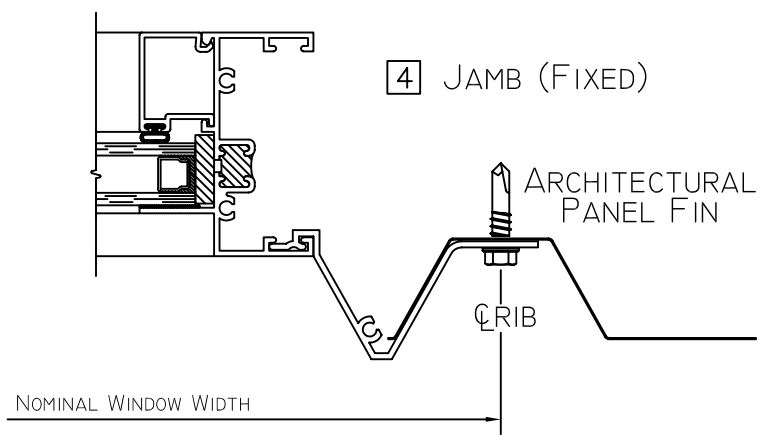


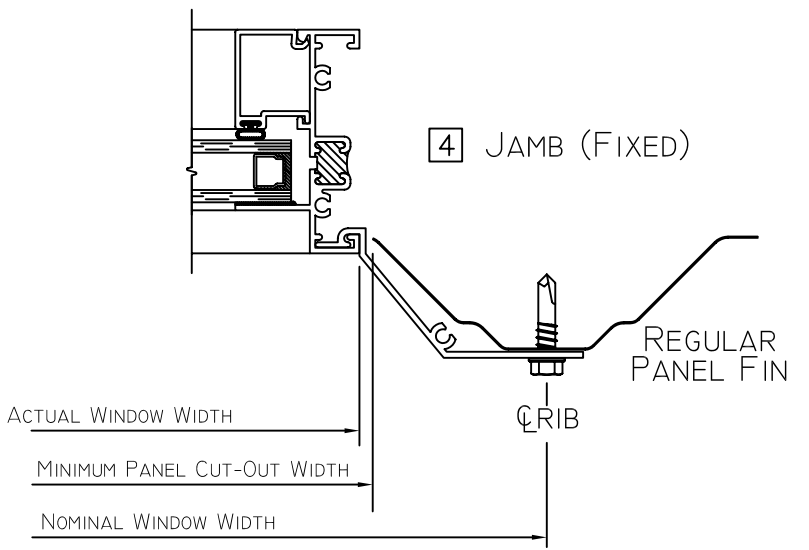
1 HEAD



4 JAMB (FIXED)



4 JAMB (FIXED)



2 SILL

