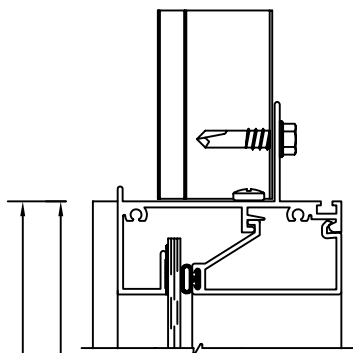
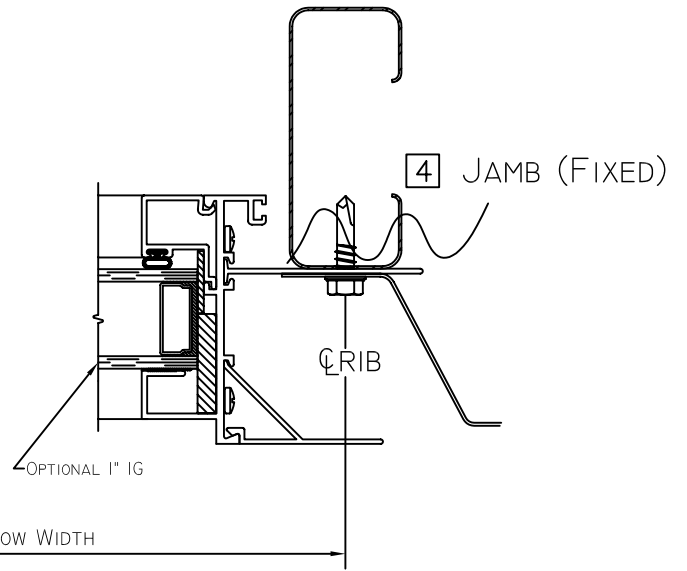
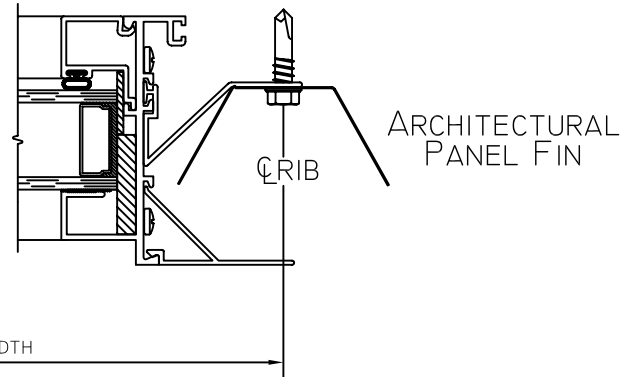


1 HEAD



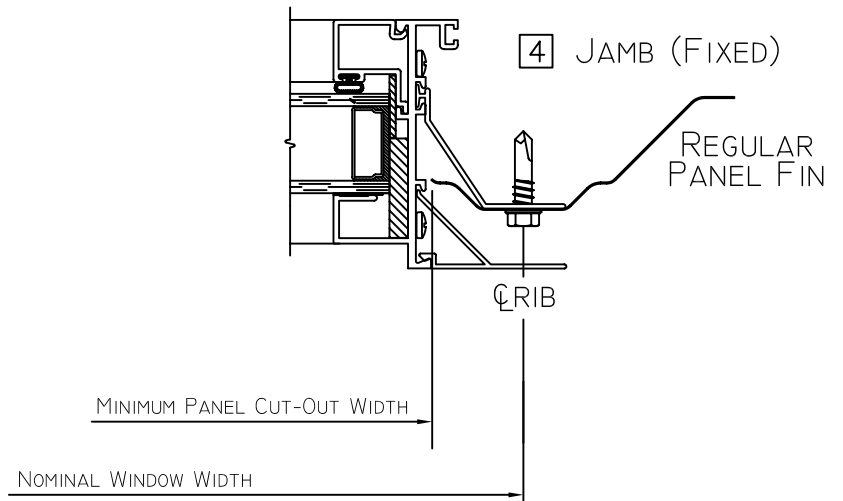
4 JAMB (FIXED)



ARCHITECTURAL PANEL FIN

MINIMUM PANEL CUT-OUT HEIGHT  
NOMINAL \ ACTUAL WINDOW HEIGHT

2 SILL



REGULAR PANEL FIN

