



Global Building Products

**INSTALLATION INSTRUCTIONS
FOR THE
KNOCK-DOWN DOOR SYSTEM**



Global Building Products

1121 Herman Street • Elkhart, IN 46516 • Phone (574) 296-6868 • Fax (574) 296-6878

Web: www.globalbuildingproducts.us

Rev: 04-29-10

Global Knock-Down Door Installation Instructions

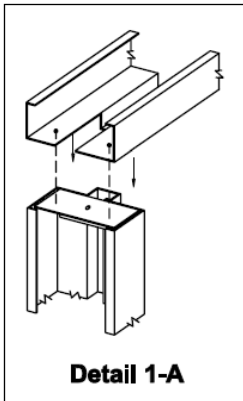
Parts List

- (1) Door Leaf
- (1) Hinge Jamb
- (1) Strike Jamb
- (1) Jamb Header
- (2) Girt Anchors
- (1) Aluminum Threshold
- (1) Sweep
- (1) Weather Seal Set
- (3) Hinges
- (1) Lockset (if applicable)

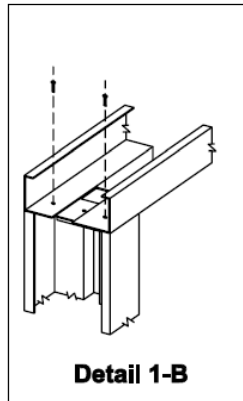
Fasteners

- (6) #14 x 1" Hex Head Tek Screws
- (12) #12 x 3/4" Hex Head Tek Screws
- (4) #10 x 3/4" Pan Head Screws
- (4) 3/8" Sleeve Anchor Bolts
- (3) 1/4" x 2-1/4" Threshold Anchor Bolts (if applicable)

1. Align and assemble frame header, hinge jamb, and strike jamb as shown below in Details 1-A and 1-B, using (4) #14 x 1" Hex Head Tek Screws (2 per side). Make sure the door stops are aligned all the way around the door frame.

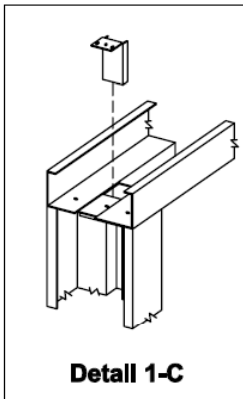


Detail 1-A

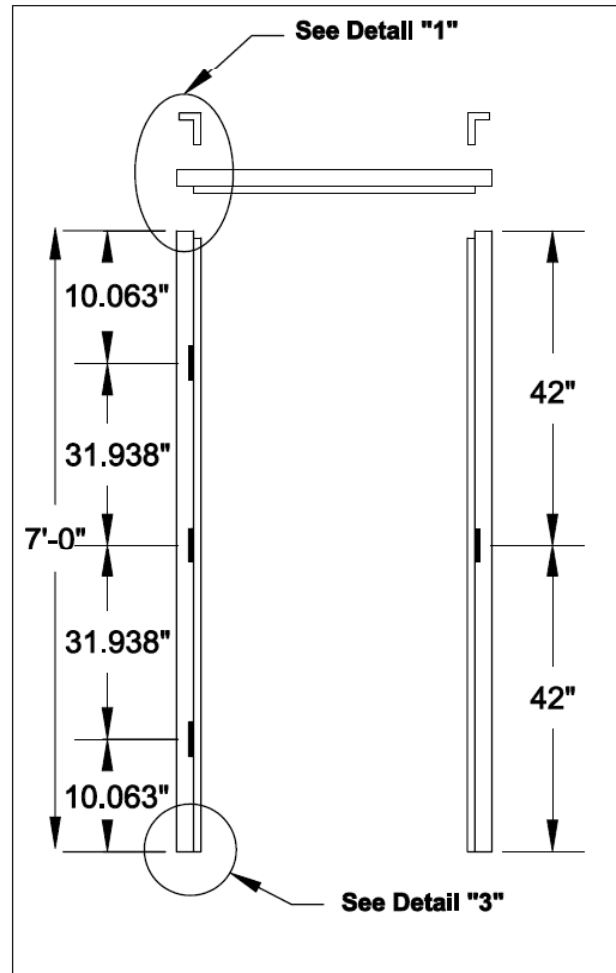


Detail 1-B

2. Insert, but do not secure, the girt anchors into the top of the hinge jamb and strike jamb as shown in Detail 1-C.



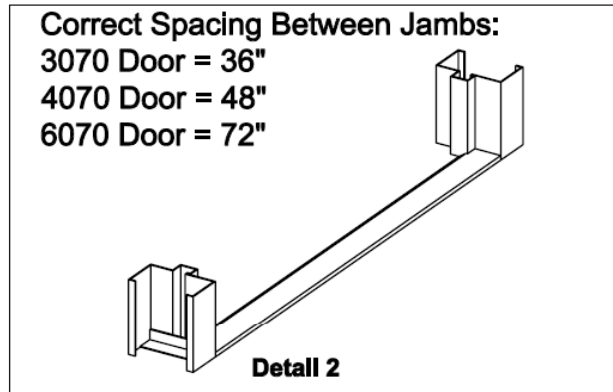
Detail 1-C



Elevation

(RH Shown. To Make LH, turn jambs end for end)

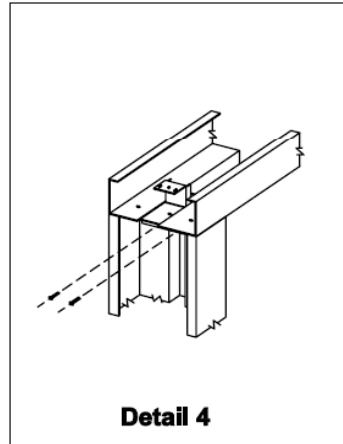
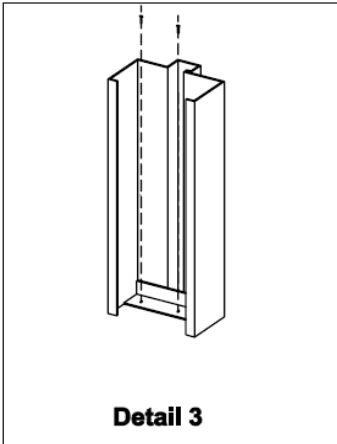
3. Use the threshold (if applicable) as a "spacer" for the jambs as shown in Detail 2.



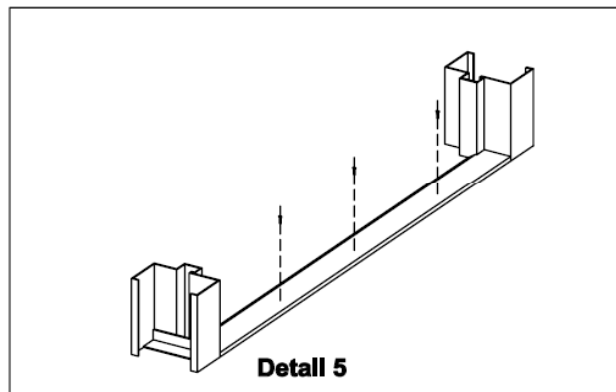
Detail 2

Global Knock-Down Door Installation Instructions

4. Position the frame assembly under the glrt. The outside faces of the frame (hinge jamb and strike jamb) should be flush with the outside edge of the glrt and the edge of the concrete floor.
5. **PLUM AND SQUARE** the frame unit using a carpenter's square in each top corner and a level on the face of each jamb. Make sure the outside edges of the jambs are lined up correctly.
6. Secure the hinge and strike jamb glrt anchors to the glrt using (6) #12 x 3/4" Hex Head Tek Screws (3 per side). **DO NOT** secure the glrt anchors to the jambs at this time. This will hold the frame in place while anchoring the jambs to the concrete floor.
7. While frame is **PLUM AND SQUARE**, anchor the base of each jamb to the floor as shown in Detail 3 using (4) 3/8" x 3" Sleeve Anchor Bolts (2 per side).
8. Check **PLUM AND SQUARE** once more, then secure the glrt anchors to the top of the jambs as shown in Detail 4 using (4) #12 x 3/4" Hex Head Tek Screws (2 per side).



9. Secure threshold (if applicable) to the floor as shown in Detail 5, using (3) 1/4" x 2-1/4" Threshold Anchor Bolts. Drill a hole at least 2-1/4" deep from the top of the threshold. Caulk or grout underneath the threshold to prevent water infiltration (Caulk not provided).



Global Knock-Down Door Installation Instructions

10. Install the door leaf to the frame unit with hinges provided. The hinge screws are inside the hinge box. Do not over-tighten the hinge screws. The top channel of the door is flush and the bottom channel is inverted. Use the hinge handing plates as needed once the handing of the door has been determined.
11. Install weather seal to the stops of the head, strike jamb, and hinge jamb (the weatherstrip will cover a portion of the hinge itself).
12. Install the door sweep on the outside plane of the door leaf bottom using the (4) #10 x 3/4" Pan Head Screws. Position the sweep so the bottom of the vinyl flap is even or below the threshold.
13. Install latching device (lock set or exit device) using the Installation Instructions provided in the individual unit box.

For questions regarding this installation, call Global Building Products at 574-296-6868.



1121 Herman Street • Elkhart, IN 46516
Phone: 574-296-6868 • Fax: 574-296-6878
Web: www.globalbuildingproducts.us