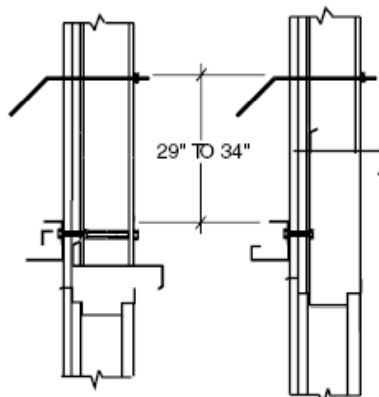
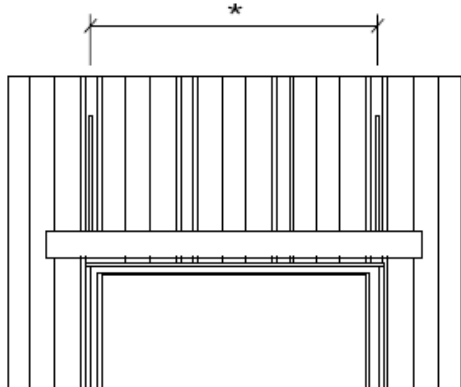
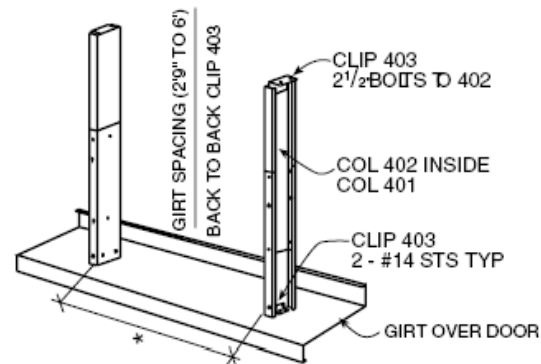


4'6" X 4' CANOPY 38" Center to Center  
 7'6" X 4' CANOPY 86" Center to Center

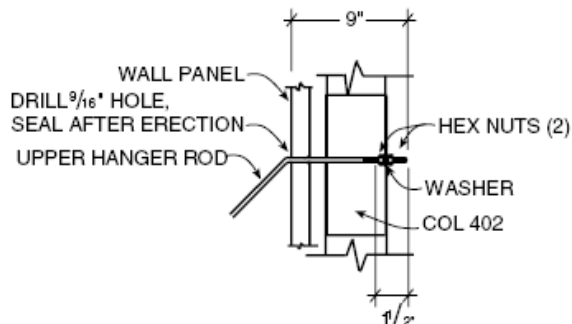


CASE 1

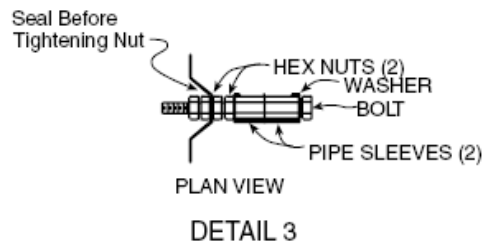
CASE 2



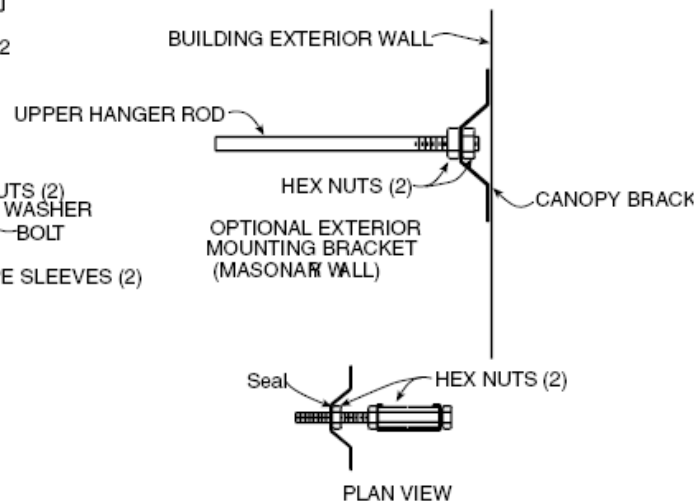
DETAIL 1: INSTALL SUPPORT COLUMNS



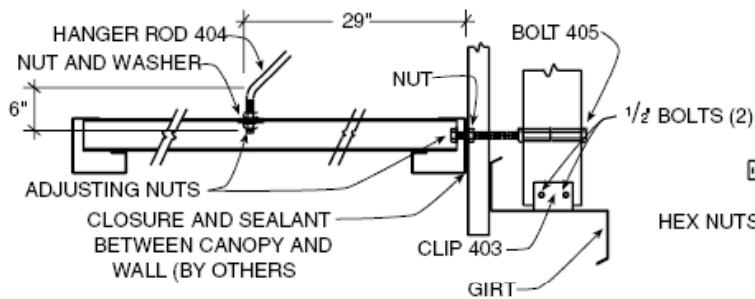
DETAIL 2: INSTALL HANGER ROD 404



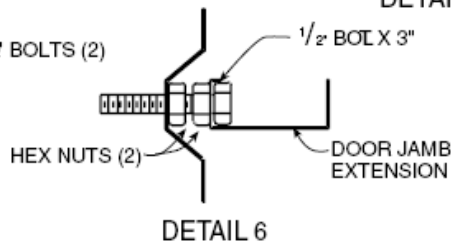
DETAIL 3



DETAIL 4: INSTALL LOWER BOLTS 405



DETAIL 5: INSTALL CANOPY SUPPORT RODS



DETAIL 6



Global Building Products  
 1121 Herman St.  
 Elkhart, IN 46516  
 Ph: (574) 296-6868  
 Fax: (574) 296-6878

CANOPY

FIELD  
 ERECTION  
 PROCEDURE



## CANOPY ERECTION INSTRUCTIONS - CASE 1

- Install vertical support columns to girt framing. Girt spacing should be between 2'9" and 6'0".
- Locate center of canopy and door. Adjust towards knob so that rod supports pierce wall panel on high or low flat areas. Mark girts at desired length.
- Attach clip angles 403 to inside bottom of column 401 and to inside top of column 402 with 2 1/2" bolts each. Insert column 402 inside column 401 (see Detail 1).
- Adjust columns to proper length to fit between girts. Secure 401 and 402 together with 6 #14 sts on each column (2 ea fl. & Web). (See detail #1). With columns assembled, drill 9/16" diameter holes through 402 using holes in 401 flanges as guide.
- Locate columns in place back to back exactly 2'-10" apart at bottom (1'-5 1/8" each side of length of canopy). Attach to girts with 2-#14 sts at each end of column.
- Install upper hanger rod 404 (see detail 4).
- Using upper holes as guide, locate and drill a 9/16" hole in a wall panel.
- Insert long end of rod through wall (from exterior) and through one flange of column. Put one nut on rod and leave 1 1/2" thread. Place washer insert through inside flange. Place washer and second nut. Snug tight.
- Install lower support bolts 405 (see detail 4).
- Using lower holes in column as guide, drill two 9/16" holes in wall panel (3'-0" c/c).
- Insert bolt with washer through inside flange, through pipe sleeve, outside flange, 2 hex nuts and through wall panel. Tighten nut against column. Space last nut snug against inside of wall panel for low conditions (see detail 3). Add nuts as follows: From exterior, thread one nut tight against panel with sealant under nut; thread 2nd nut and locate at face of wall panel. This will position canopy (bolts 3'-0" c/c).
- Install canopy to support rods (see detail 5). Thread nut onto upper hanger rod. For high condition of wall panel (see detail 4), add sealant around bolt. Position canopy so that the two lower bolts enter holes nearest center with back of canopy resting on bolts. Add washer to upper rod, insert upper rods thru holes in top of supports beams. Add washer and hex nuts. Add washer and nuts to bolts.
- Raise lower nuts on upper rod until canopy slopes 1/2" to 1" towards building. Tighten all nuts.
- Finish with closure and sealant by others as recommended.

## ERECTION INSTRUCTIONS - CASE-2

- Locate desired bottom of canopy elevation on door jamb extensions. Measure up 3" and drill 2 9/16" holes 3'-3" apart (one each jamb) for lower support bolts. (It may be necessary to drill from exterior).
- Install vertical support columns for upper hanger rod same as case 1, except center on holes in door jamb exterior and drill 9/16" holes 2-1 1/2" above holes in door jamb exterior.
- Install upper hanger rod (same as case 1).
- Install lower support bolt (see detail 6).
- Install canopy to supports (same as case 1).

### Global Building Products