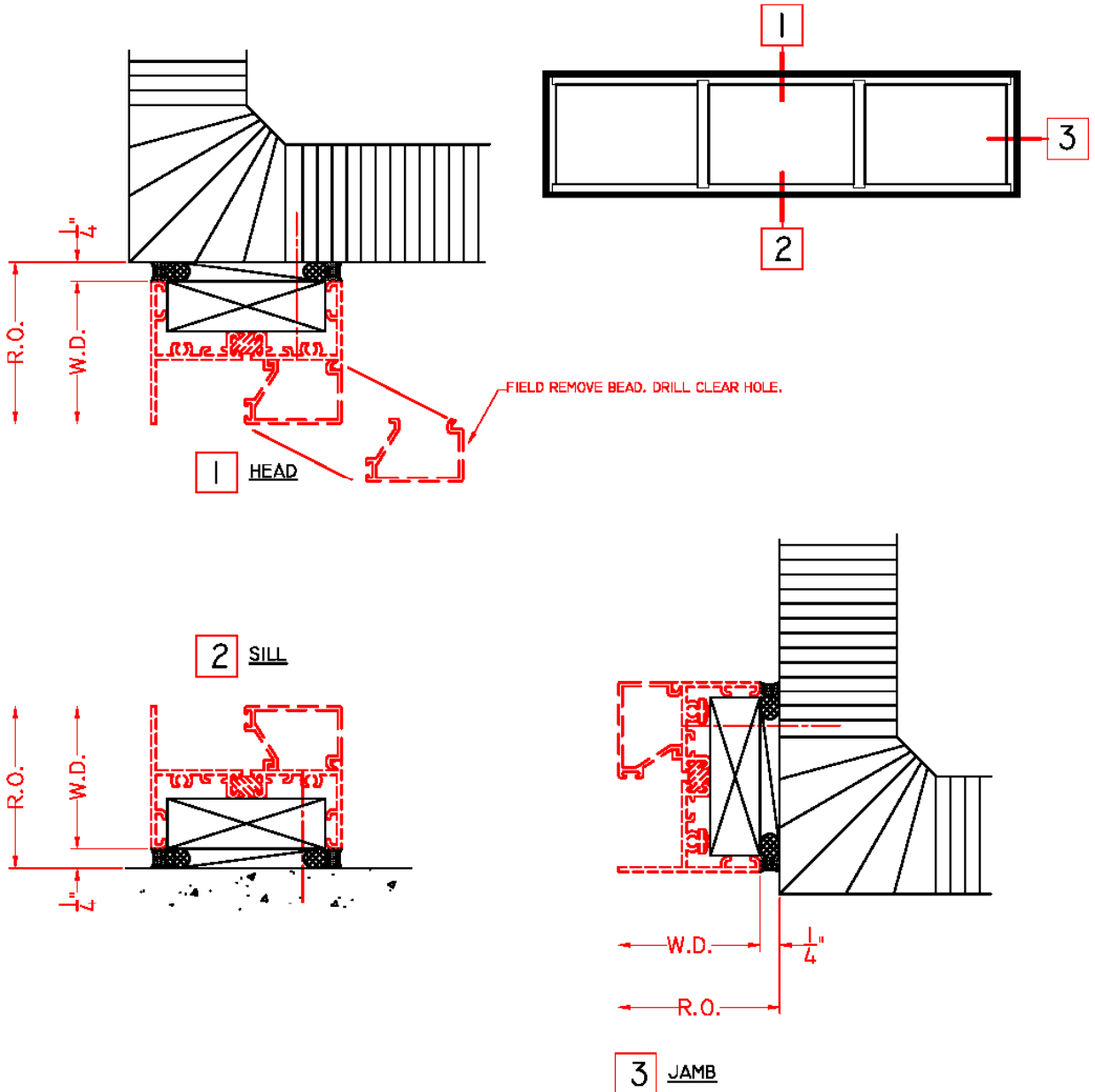


THROUGH-THE-FRAME ANCHORAGE



HALF SCALE DETAILS